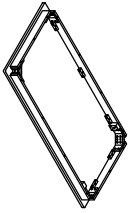
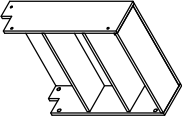






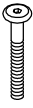


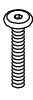




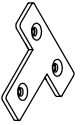
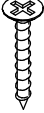

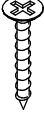

ASSEMBLY INSTRUCTIONS

Group name: Zhara
 Description: Counter Height Table
 Item No.: TN398CT

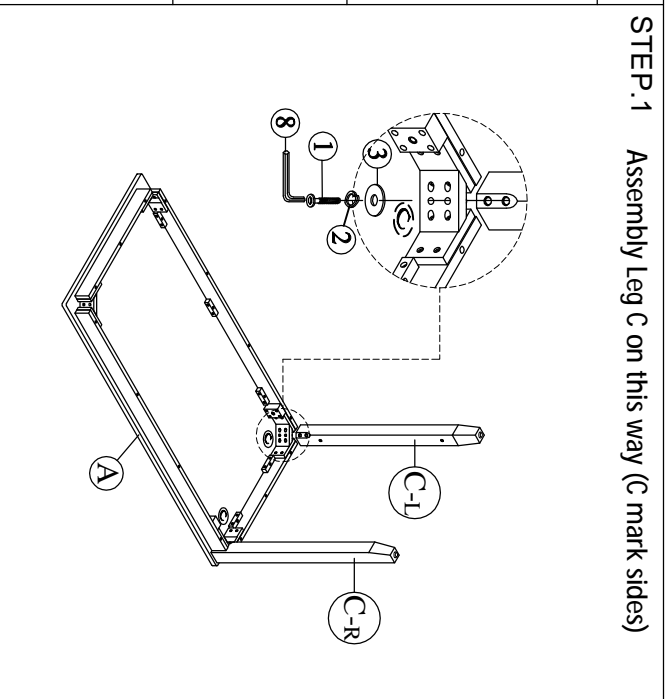
LIST OF PARTS

(A) Top Table  1pc	(B) Wine rack  1pc
(C). Leg C  1L,1R	(D). Leg D  1L,1R
(E). Short stretcher  1pc	(F). Long stretcher  1pc

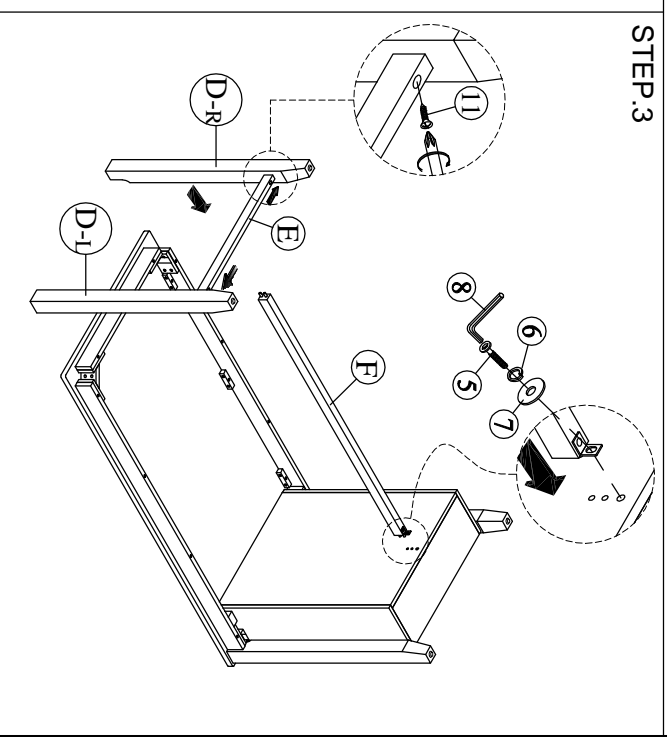
LIST OF HARDWARE

1. Long bolt 	2. Spring washer 	3. Flat washer 
4. Medium bolt 5/16" x60mm (8pcs) 	5. Short bolt 5/16" (8pcs) 	6. Spring washer 5/16" (8pcs) 
7. Flat washer 1/4" x35mm (6pcs) 	8. Allen key 1/4" x20mm (1pc) 	9. Mending plate 1/4" (7pcs) 
10. Screws 1/4" (7pcs) 	11. Screws 4mm (1pc) 	
#3.5x20mm (3pcs) 	M5x50mm (2pcs) 	

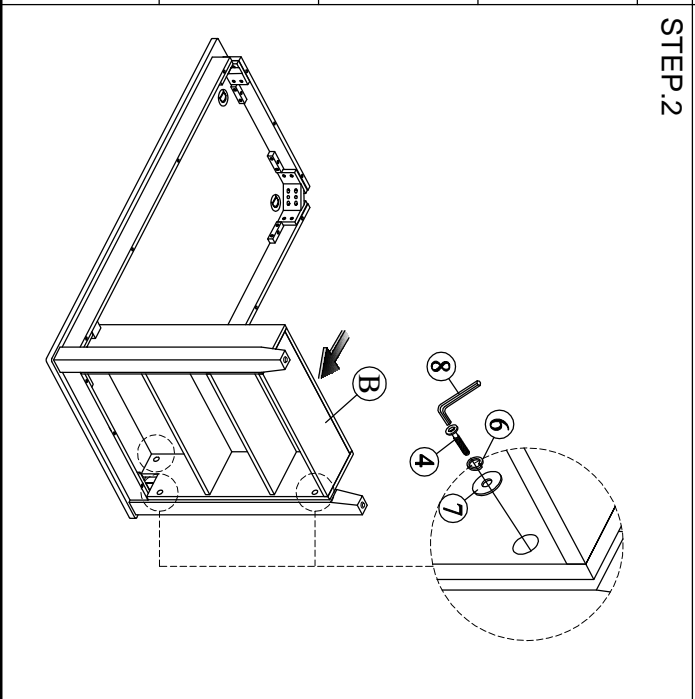
STEP.1 Assembly Leg C on this way (C mark sides)



STEP.3



STEP.2



STEP.4 Assembly Leg D on this way (D mark sides)

