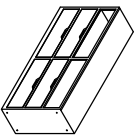
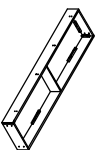
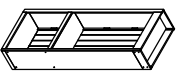
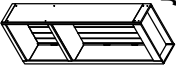

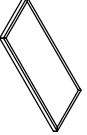


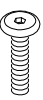

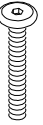


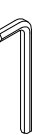

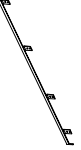


ASSEMBLY INSTRUCTIONS

Group Name: Wyatt Black & Wyatt White
 Description: BUFEET/ BRIDGE/ LEFT PIER/ RIGHT PIER
 Item No: TN-307-BF/ TN-307-H/ TN-307-LP/ TN-307-RP
 & 7356-BF/ 7356-H/ 7356-LP/ 7356-RP

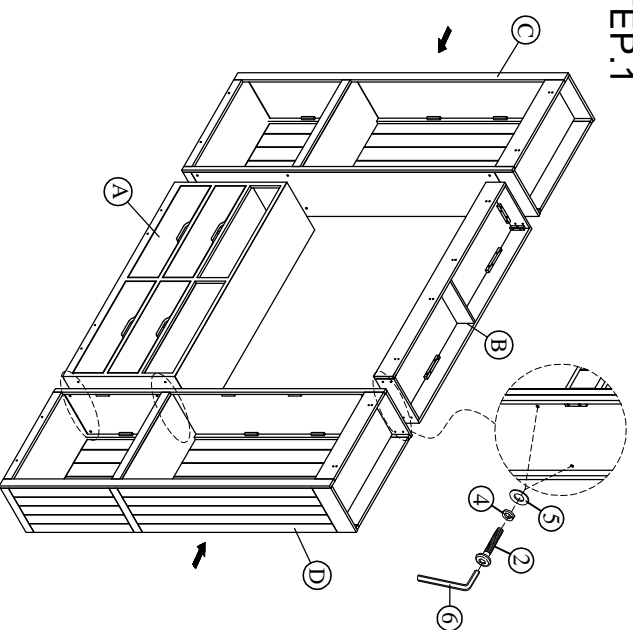
LIST OF PARTS

A. Buffet  1pc	B. Hutch  1pc
C. Left Pier  1pc	D. Right Pier  1pc
E. Door  1L,1R	F. Shelf  6pcs

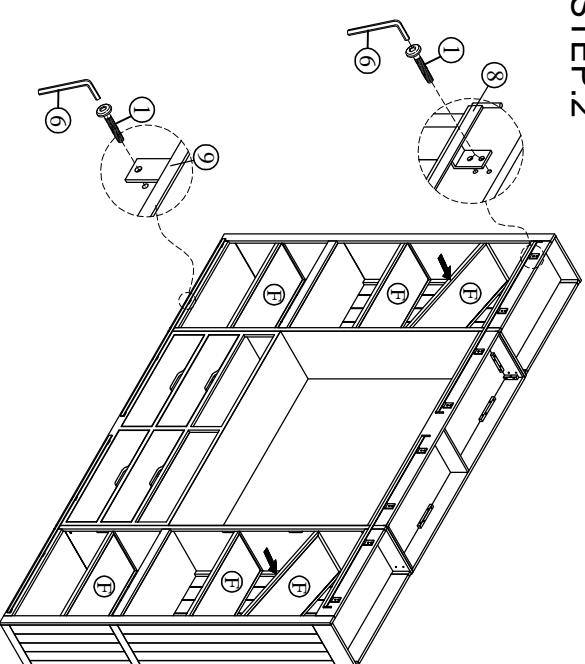
LIST OF HARDWARE

1. Short Bolt  1/4" x 20mm(24 pcs)	2. Medium Bolt  1/4" x 35mm(16 pcs)
3. Long Bolt  1/4" x 70mm(4 pcs)	4. Spring washer  1/4" (20 pcs)
5. Flat washer  1/4" x 19mm(20 pcs)	6. Allen key  4mm(1 pc)
7.Handle  2 pcs	8.Sliding rails top  2 pcs
9.Sliding rails bottom  2 pcs	10.Tipping Restraint  2 Set

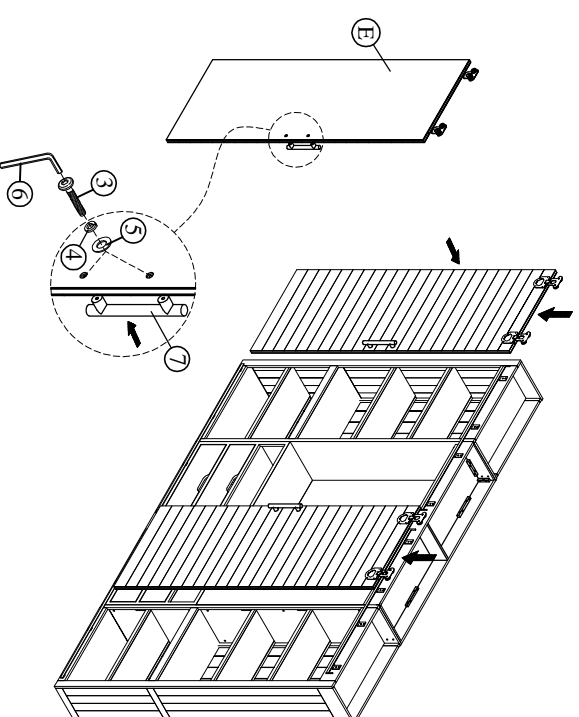
STEP.1



STEP.2



STEP.3



STEP.4

