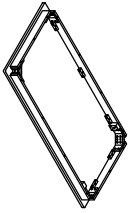
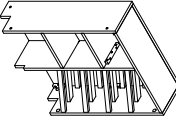






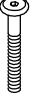


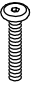




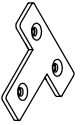
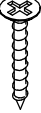

# ASSEMBLY INSTRUCTIONS

Group name: Wine Table  
 Description: Counter Height Table  
 Item No: TN397CT

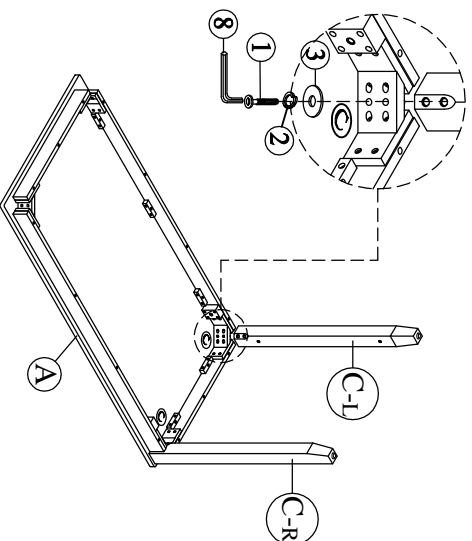
## LIST OF PARTS

<b>(A) Top Table</b>  1pc	<b>(B) Wine rack</b>  1pc
<b>(C). Right Legs</b>  1L,1R	<b>(D). Left legs</b>  1L,1R
<b>(E). Short stretcher</b>  1pc	<b>(F). Long stretcher</b>  1pc

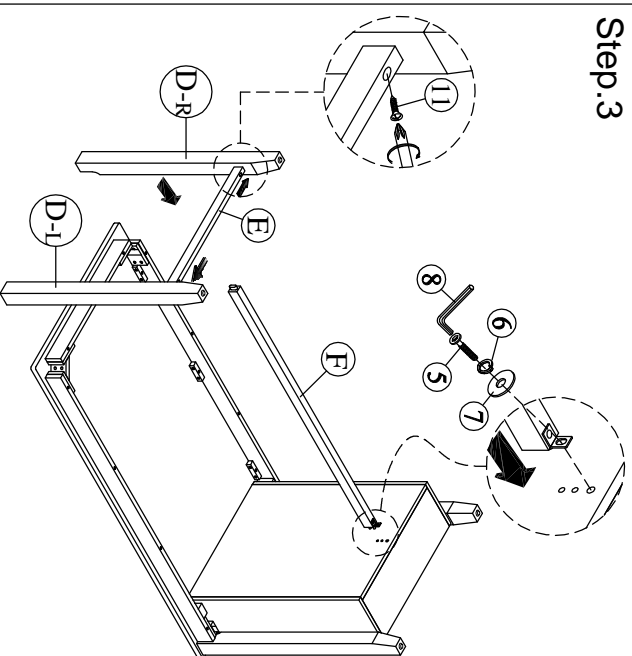
## LIST OF HARDWARE

<b>1. Long bolt</b>  5/16"x50mm (8pcs)	<b>2. Spring washer</b>  5/16" (8pcs)	<b>3. Flat washer</b>  5/16" (8pcs)
<b>4. Medium bolt</b>  1/4"x36mm (6pcs)	<b>5. Short bolt</b>  1/4"x20mm (1pc)	<b>6. Spring washer</b>  1/4" (7pcs)
<b>7. Flat washer</b>  1/4" (7pcs)	<b>8. Allen key</b>  4mm (1pc)	<b>9. Mending plate</b>  (1pc)
<b>10. Screws</b>  #3.5x20mm (3pcs)	<b>11. Screws</b>  M5x50mm (2pcs)	

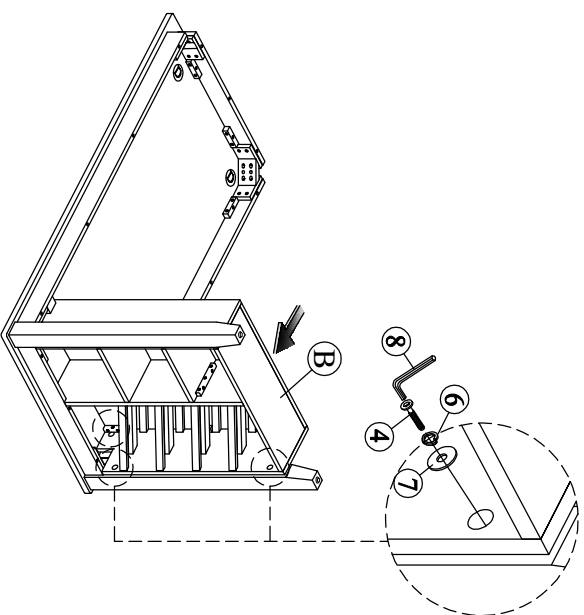
**Step. 1** Assembly Leg C on this way (C mark sides)



**Step. 3**



**Step. 2**



**Step. 4** Assembly Leg D on this way (D mark sides)

