

ASSEMBLY INSTRUCTION

ITEM : CF 425 WESLEY SINGLE BED

HARDWARE LIST

ITEM	DESCRIPTION	QTY
A	JCBC SCREW M 8 x 40	8 pcs
B	M8 SPRING WASHER	8 pcs
C	M8 FLAT WASHER	8 pcs
D	ALLEN KEY M 5	1 pc
E	JCBC SCREW M 6 x 35	14 pcs
F	M6 SPRING WASHER	17 pcs
G	M6 FLAT WASHER	17 pcs
H	ALLEN KEY M 4	1 pc
I	JCBC SCREW M 6 x 60	3 pcs
J	SCREW M4 X 30 mm.	24 pcs
K	SCREW M4 X 16 mm.	2 pcs
L	L-BRACKET	1 pc

PART LIST

PART / DESCRIPTION	QTY	PART / DESCRIPTION	QTY
HEADBOARD	1 pc	SIDE RAIL DRAWER	2 pcs
FOOTBOARD	1 pc	MATTRESS SLAT	12 pcs
FOOTBOARD DRAWER	1 pc	CENTER SUPPORT	1 pc
SIDE RAIL	2 pcs	CENTER LEG	3 pcs

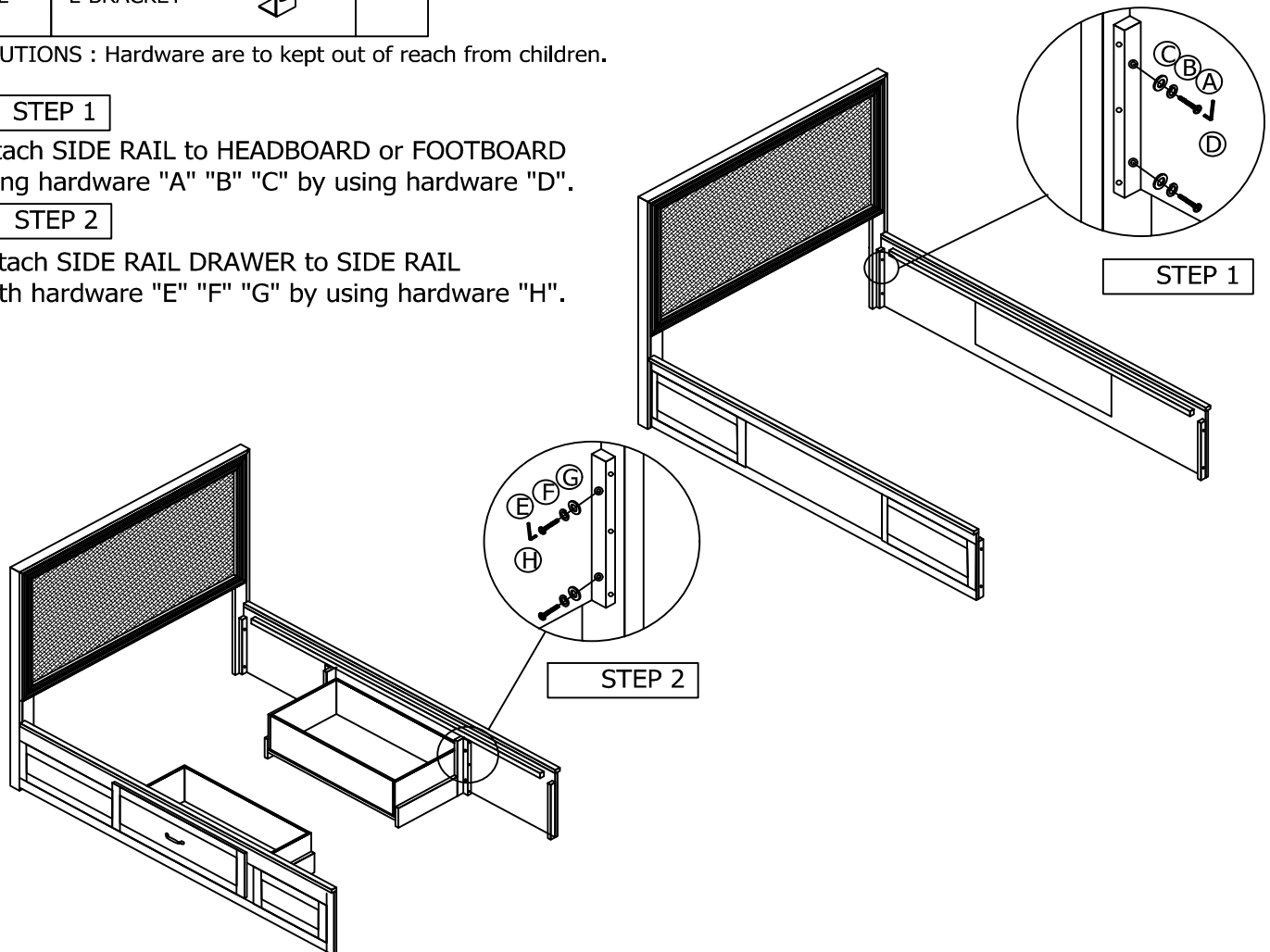
CAUTIONS : Hardware are to kept out of reach from children.

STEP 1

Attach SIDE RAIL to HEADBOARD or FOOTBOARD using hardware "A" "B" "C" by using hardware "D".

STEP 2

Attach SIDE RAIL DRAWER to SIDE RAIL with hardware "E" "F" "G" by using hardware "H".



NOTE : ONE BED TOTAL 5 CARTONS (HEADBOARD ,FOOTBOARD , SIDE RAIL & DRAWER)

MADE IN MALAYSIA
PAGE 1/2

ASSEMBLY INSTRUCTION

STEP 3

Attach FOOTBOARD DRAWER to FOOTBOARD with hardware "E" "F" "G" by using hardware "H".

STEP 4

Attach L- BRACKET onto the CENTER SUPPORT , fix the L-BRACKET with hardware "K" by using screw -driver.

STEP 5

Attach all mattress slat onto the SIDE RAIL , attach hardware "I", "F" and "G" by using ALLEN KEY "H" to assembly the CENTER LEG thru the pre-drilled hole on MATTRESS SLAT and CENTER SUPPORT .

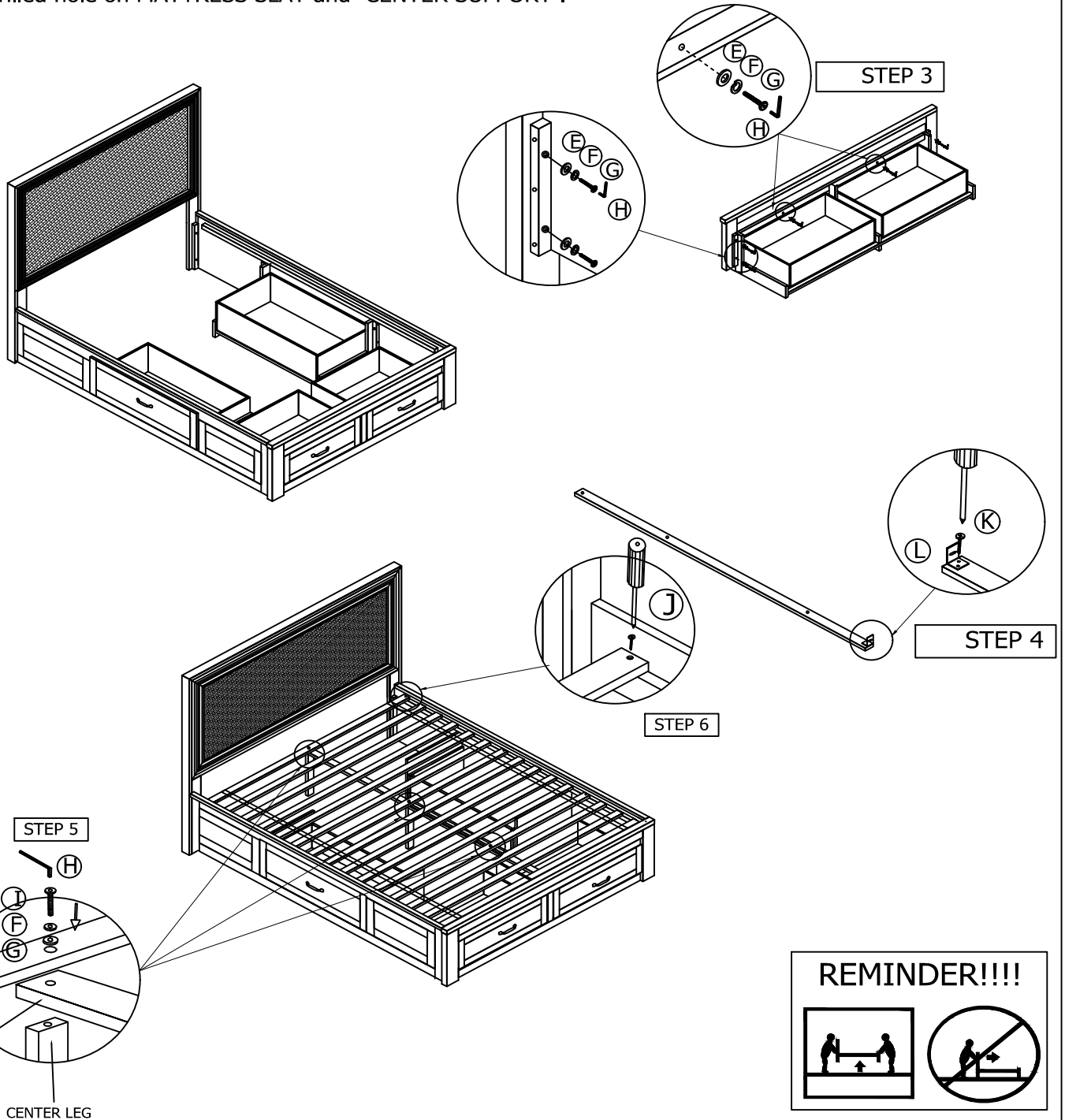
ITEM : CF 425 WESLEY SINGLE BED

STEP 6

Lastly, Fix the mattress slat with hardware "J" thru pre-drilled hole by using screw driver.

STEP 7

Complete view.



NOTE : ONE BED TOTAL 5 CARTONS (HEADBOARD ,FOOTBOARD , SIDE RAIL & DRAWER)

MADE IN MALAYSIA
PAGE 2/2