





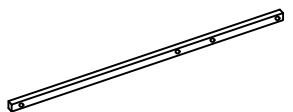
# ASSEMBLY INSTRUCTION

## ITEM : CF 425, WESLEY MIRROR FRAME

### HARDWARE LIST

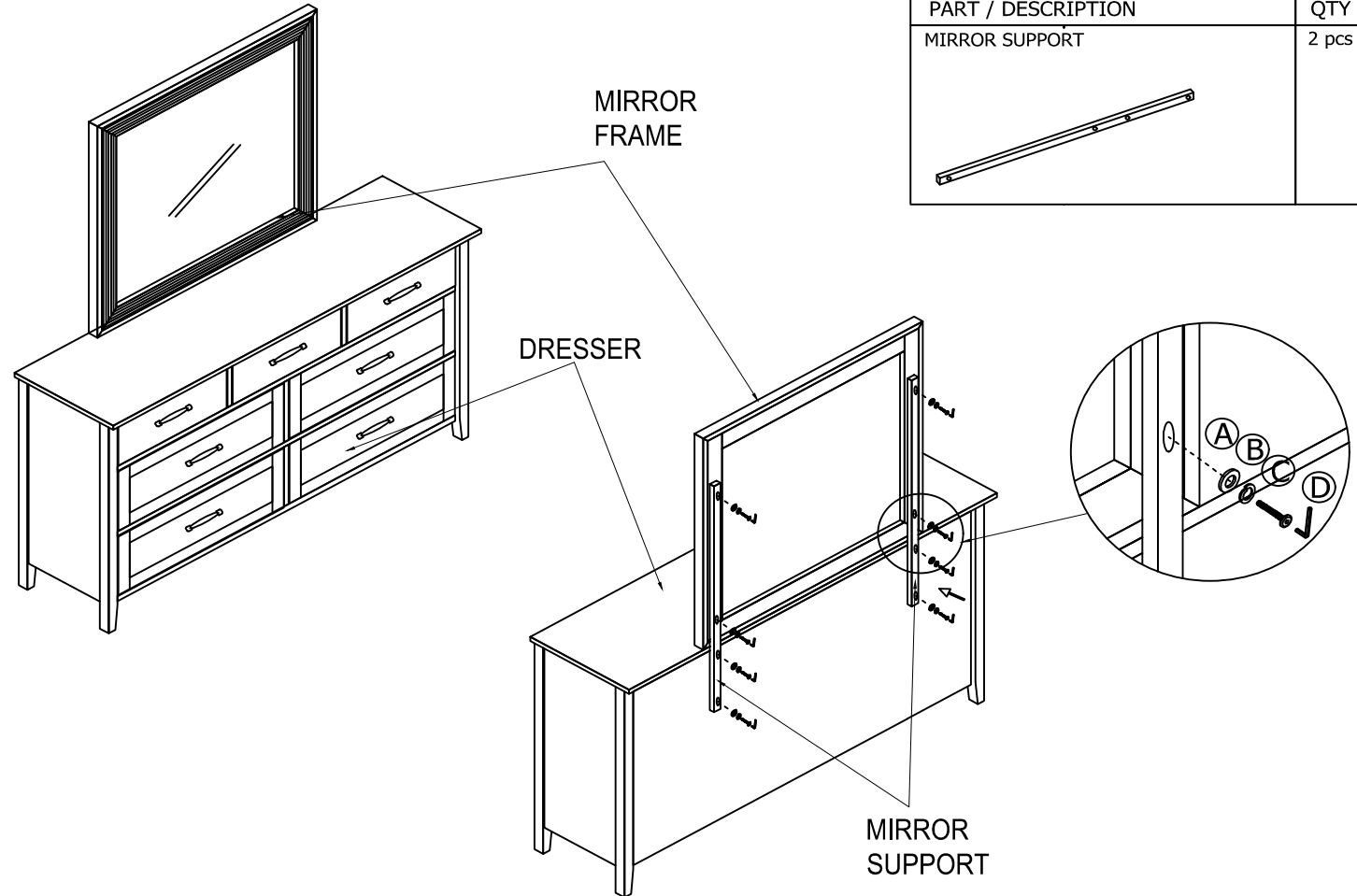
ITEM	DESCRIPTION	QTY
A	JCBC M6X40 	8 pcs
B	SPRING WASHER 	8 pcs
B	FLAT WASHER 	8 pcs
B	ALLEN KEY M4 	1 pc

### PART LIST

PART / DESCRIPTION	QTY
MIRROR SUPPORT 	2 pcs

### STEP 1

Attach " MIRROR SUPPORT " to MIRROR FRAME .  
Fix the "MIRROR SUPPORT " to MIRROR FRAME  
thru the pre-drilled hole with hardware "A" "B" "C"  
by using hardware "D".



**NOTE :**  
FOR SAFETY PURPOSE , KINDLY ADVISE 2 OR MORE PEOPLE TO ASSEMBLY.

MADE IN MALAYSIA