
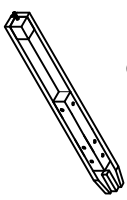
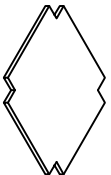
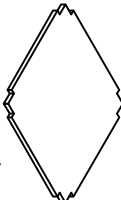
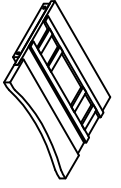
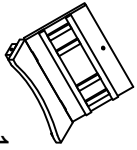


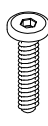
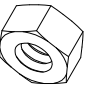

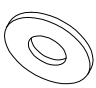

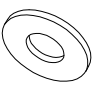



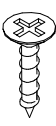
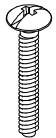

# ASSEMBLY INSTRUCTIONS

Description: Waylon II Pub Table  
Item No: TN-4560TT/ TN4560 TB

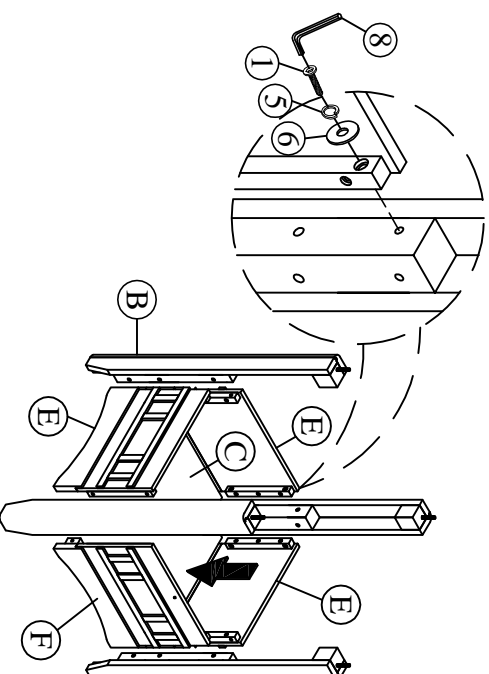
## LIST OF PARTS

A Top Table 1pc 	B Legs 4pcs 	C Bottom Shelf 1pc 
D Top Shelf 1pc 	E Side Panel 3pcs 	F Front Panel 1pc 

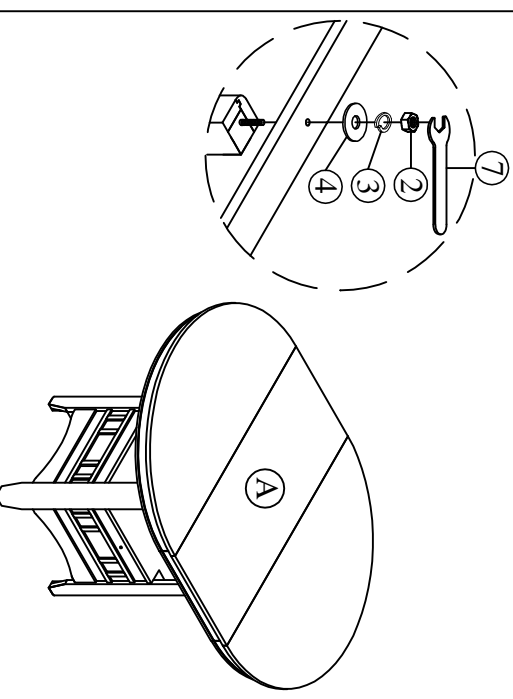
## LIST OF HARDWARE

1 Bolt 	2 Nuts 	3 Spring Washer 
1/4" x 40mm(14pcs) 4 Flat Washer 	5/16" x 10mm(4pcs) 5 Spring Washer 	5/16" x 13mm(4pcs) 6 Flat Washer 
5/16" x 19mm(4pcs) 7 Spanner 	1/4" x 10mm(14pcs) 8 Allen Key 	1/4" x 19mm(4pcs) 9 Hand combat 
5/16" (1pc) 10 Screw 	4mm(1pc) 11 Small Bolt 	(1pc) 12 Knob 
#3.5x12mm"(4pcs)	5/32" x 15mm(1pc)	1pc

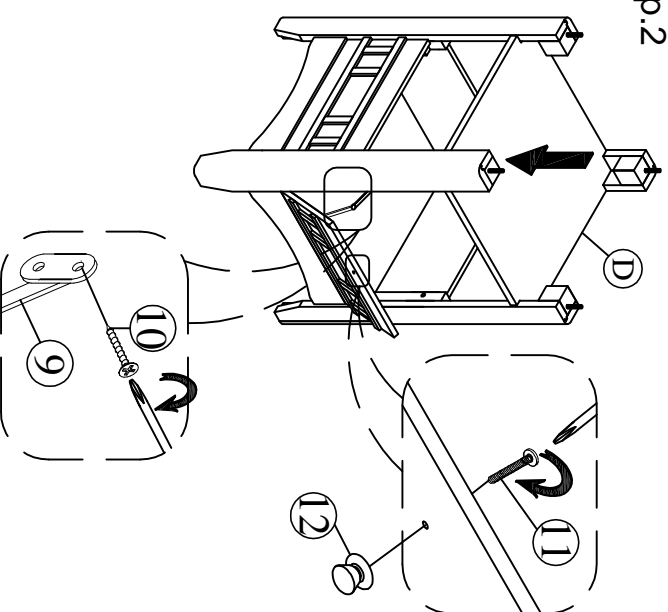
Step.1



Step.3



Step.2



Step.4

