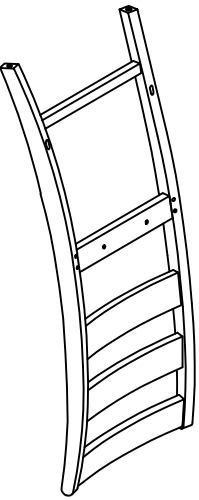
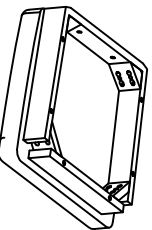
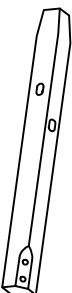
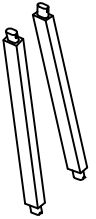
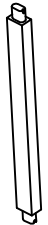
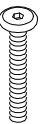
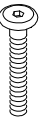
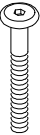


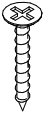
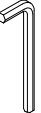


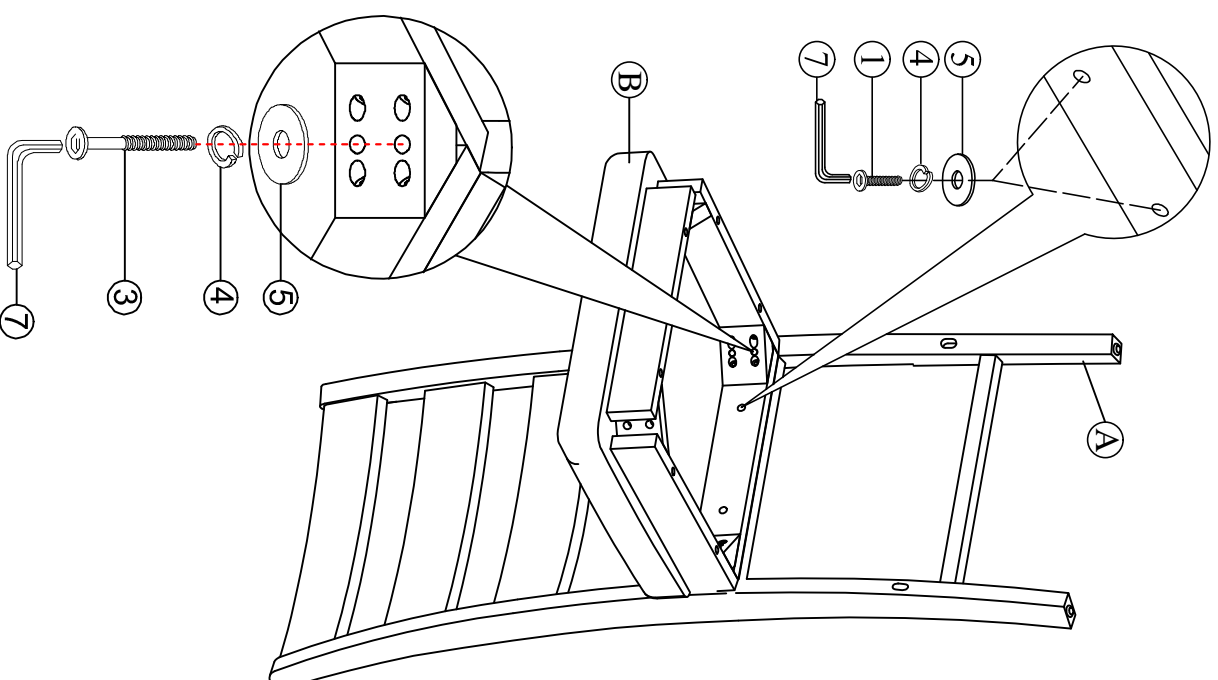
ASSEMBLY INSTRUCTIONS

Description: Tulip stool with fabric cushion
Item No.: TN-119-ST

PARTS LIST

| | | | |
|-------------------------|---|---|---|
| A Chair back | |  | |
| B Seat Frame | |  | |
| C Front legs | |  | |
| D Side stretcher |  | E Front stretcher |  |
| HARDWARE LIST | | | |
| 1 Short bolt |  | 2 Long bolt |  |
| 3 Long bolt |  | 4 Spring washer |  |
| 5 Flat washer |  | 6 Screws |  |
| 7 Allen key |  | | |

Step. 1



Step. 2

