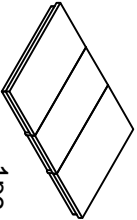
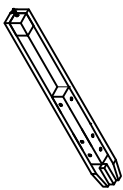
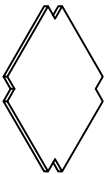
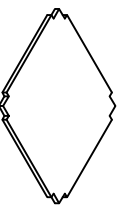
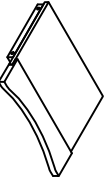
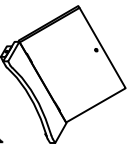


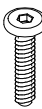
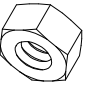

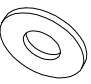

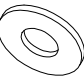




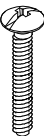

ASSEMBLY INSTRUCTIONS

Description: Tulip pub table with real storage
Item No: TN-119-T

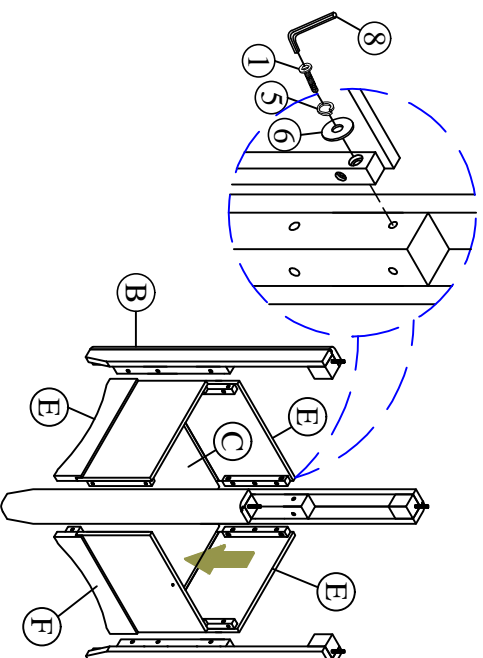
LIST OF PARTS

A Top Table	B Legs	C Bottom Shelf
 1pc	 4pcs	 1pc
D Top Shelf	E Side Panel	F Front Panel
 1pc	 3pcs	 1pc

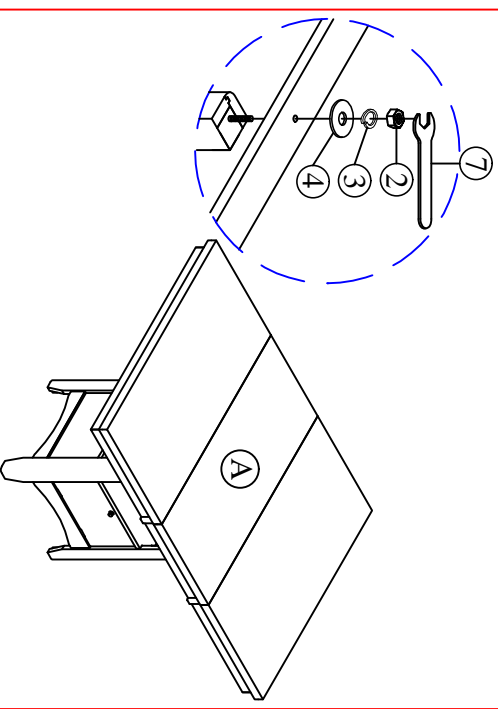
LIST OF HARDWARE

1 Bolt	2 Nuts	3 Spring Washer
 1/4" x 40mm(14pcs)	 5/16" x 10mm(4pcs)	 5/16" x 13mm(4pcs)
4 Flat Washer	5 Spring Washer	6 Flat Washer
 5/16" x 19mm(4pcs)	 1/4" x 10mm(14pcs)	 1/4" x 19mm(14pcs)
7 Spanner	8 Allen Key	9 Hand combat
 5/16"(1pc)	 4mm(1pc)	 (1pc)
10 Screw	11 Small Bolt	12 Knob
 #3.5x10mm(4pcs)	 5/32" x 15mm(1pc)	 1pc

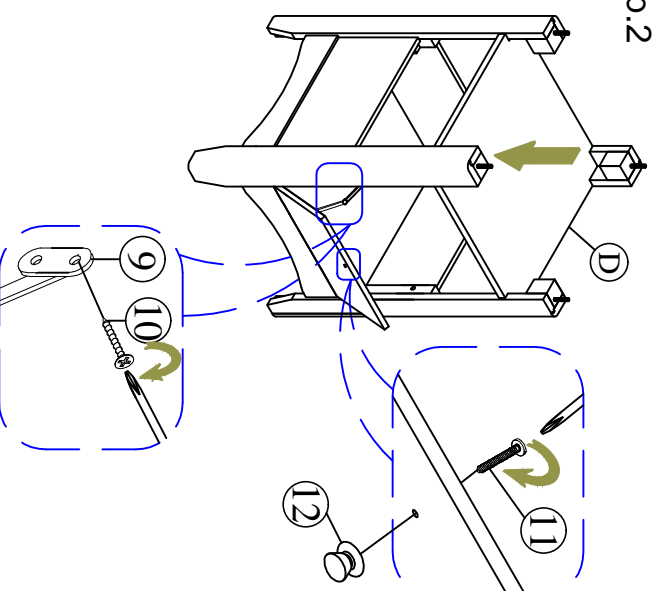
Step.1



Step.3



Step.2



Step.4

