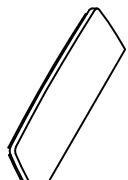

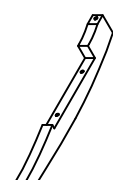
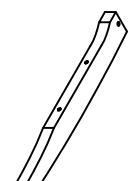
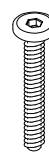



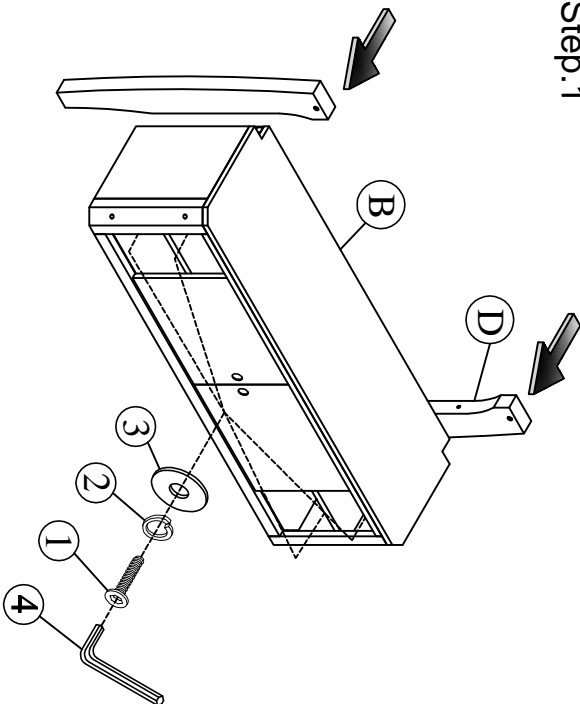
ASSEMBLY INSTRUCTIONS

Description: TRIANGLE 2 SERVER
 Item No: DC597- SERVER

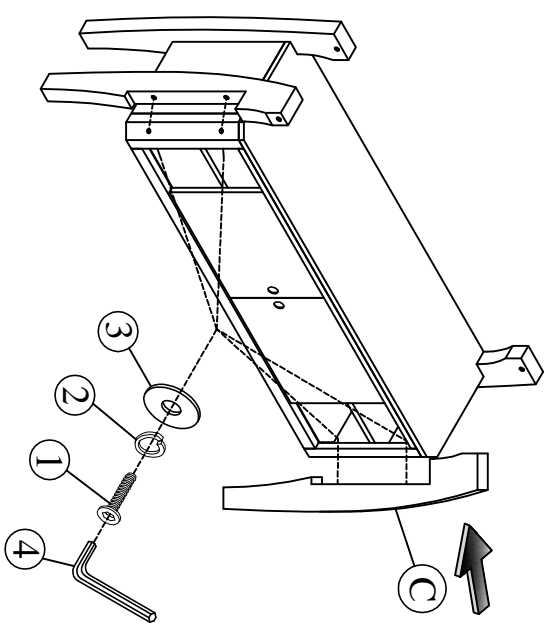
LIST OF PARTS

A. Server Top  1pc	B. Server frame  1pc
C. Front Leg  2pcs	D. Back Leg  1L, 1R
LIST OF HARDWARE	
1. Bolt 	2. Spring Washer 
3. Flat Washer Ø5/16" X 50mm (12pcs)	4. Allen Key Ø5/16" (12 pcs)
5. Tipping Restraint Ø5/16" x 19mm (12 pcs)	4mm (1pc)

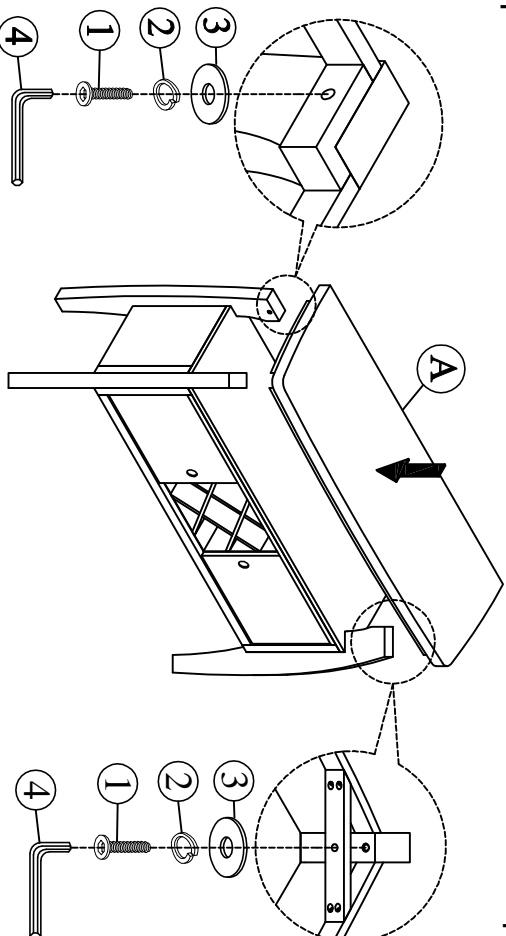
Step.1



Step.2



Step.3



Step.4

