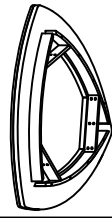

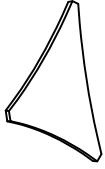


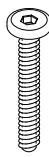
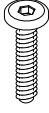
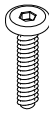

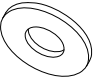





ASSEMBLY INSTRUCTIONS

Description: TRIANGLE 2 PUB TABLE
Item No: DC597- TB

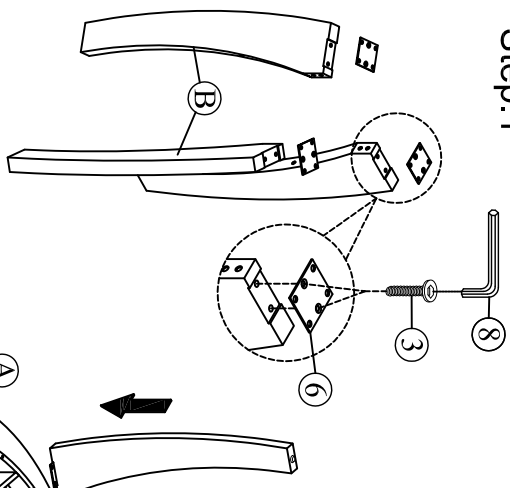
LIST OF PARTS

A Table Top	B Table Legs
 1pc	 3pcs
C Shelf	
 1pc	

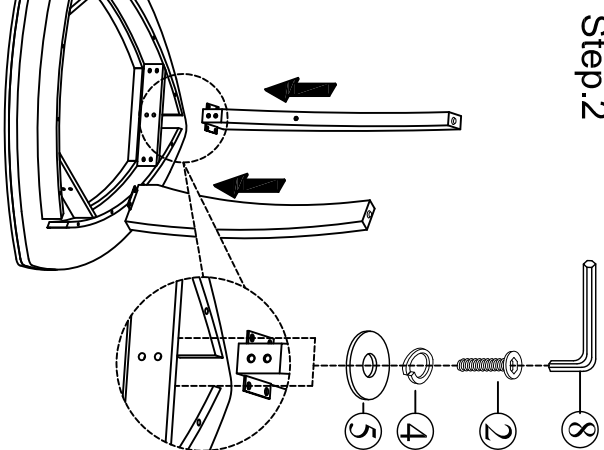
LIST OF HARDWARE

1. Bolt  Ø5/16" x 45mm (6pcs)	2. Bolt  Ø5/16" x 20mm (15 pcs)
3. Bolt  Ø5/16" x 45mm (6pcs)	4. Spring Washer  Ø5/16" (21pcs)
5. Flat Washer  Ø5/16" x 25mm (9pcs)	6. Metal Plate  Ø5/16" (21pcs)
7. " L " Metal Plate  Ø5/16" x 19mm (21 pcs)	8. Allen Key  100 x 90 x3mm (3 pcs)
50 x 50 x 3mm (3 pcs) 	4mm(1pc) 

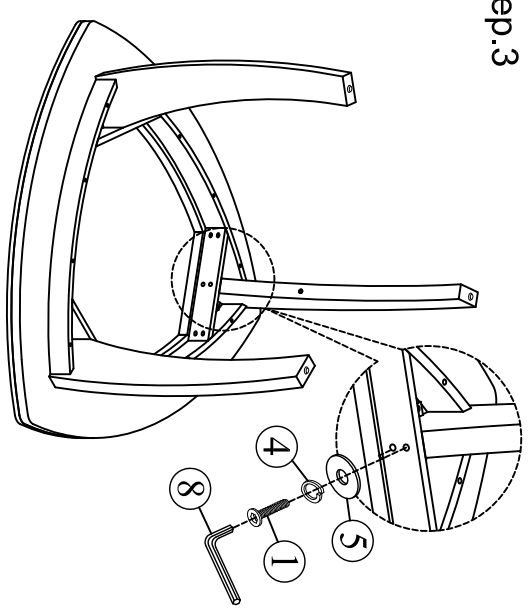
Step.1



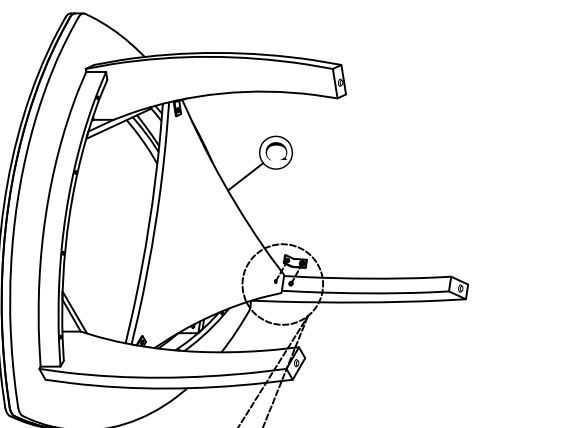
Step.2



Step.3



Step.4



FINAL

