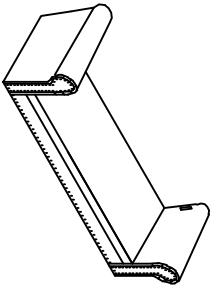
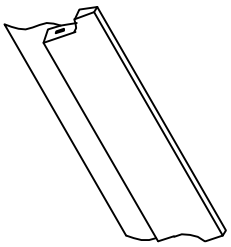
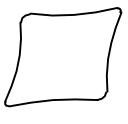
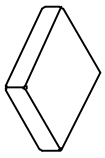



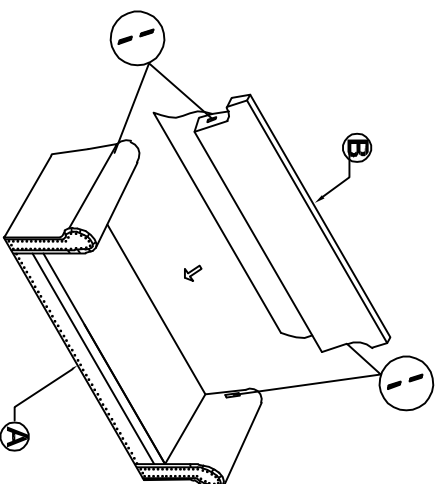


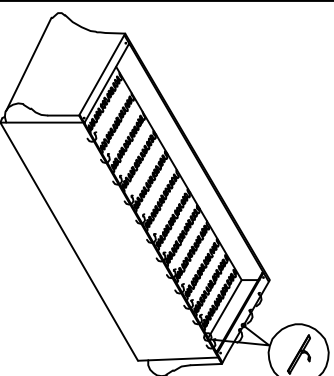
**ITEM : 4180-S**  
**PARTS LIST**

NO	DESCRIPTION	PART	QTY
A	SEAT		1pc
B	BACK		1pc
C	THROW PILLOW		2pcs
D	LEFT,RIGHT, CENTER CUSHION		3pcs
E	BACK PILLOW		2pcs
F	BACK PILLOW		1pc
G	LEG		4pcs

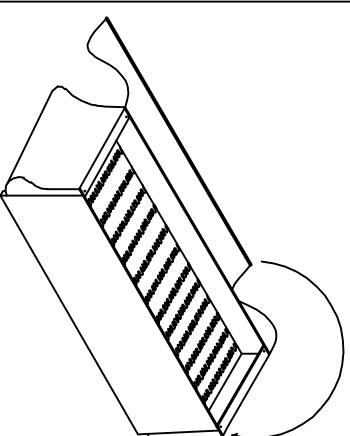
STEP 1



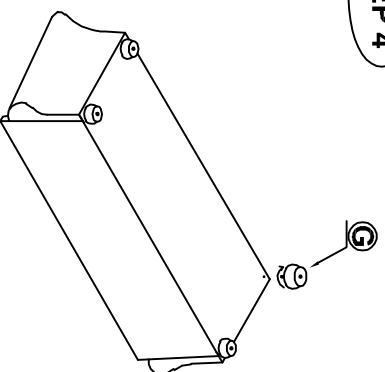
STEP 2



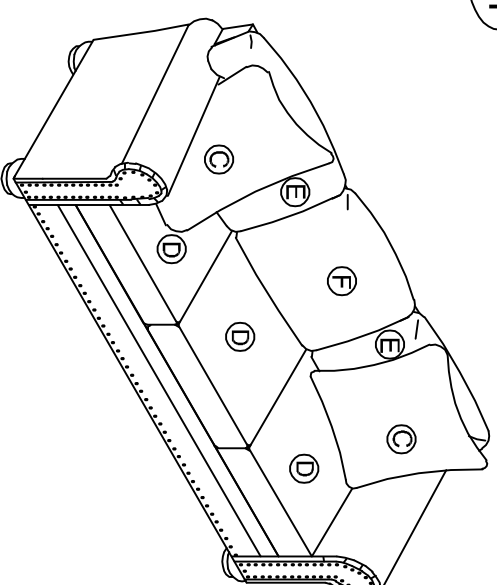
STEP 3



STEP 4



FINISH



**Please Check Underneath Seat Deck For Any Parts That May Be Inside**