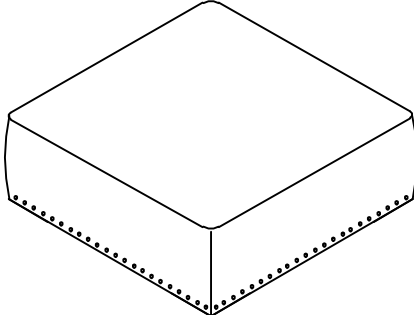



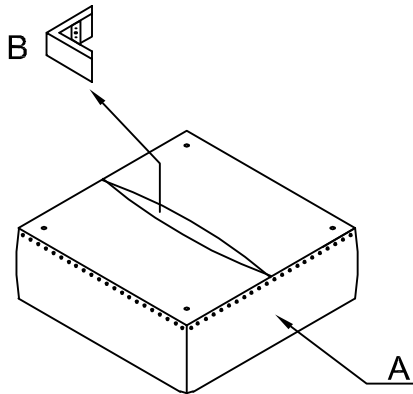


ITEM : 4180-O

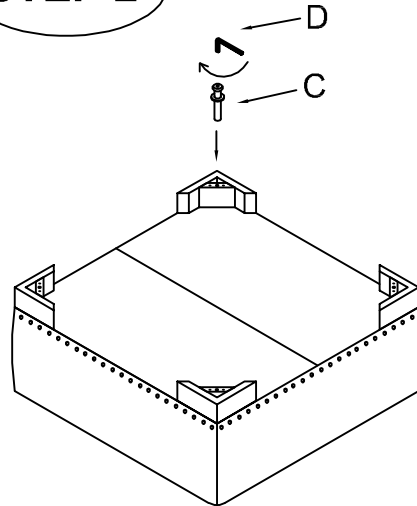
PARTS LIST

| NO | DESCRIPTION | PART | QTY |
|----|-------------|---|------|
| A | OTTOMAN |  | 1pc |
| B | LEG |  | 4pcs |
| C | BOLT |  | 4pcs |
| D | ALLEN KEY |  | 1pc |

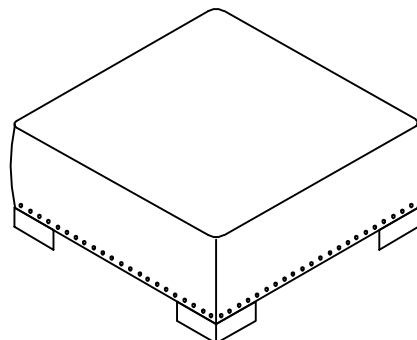
STEP 1



STEP 2



FINISH



LEGS INSIDE SEAT DECK