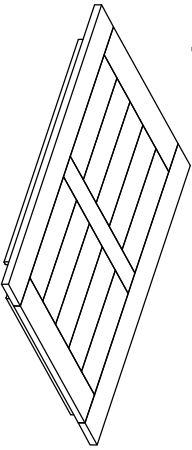
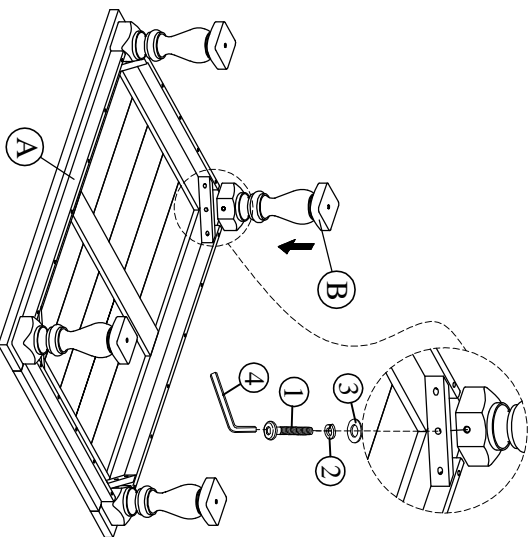
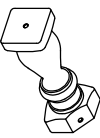
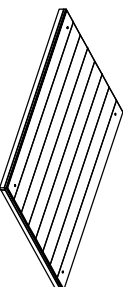
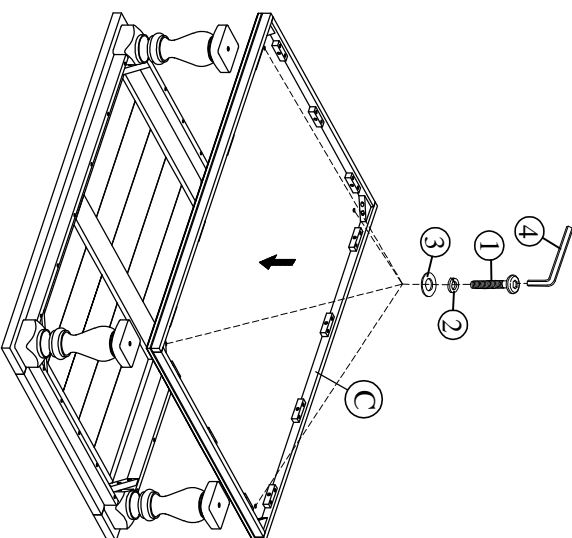
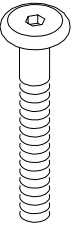

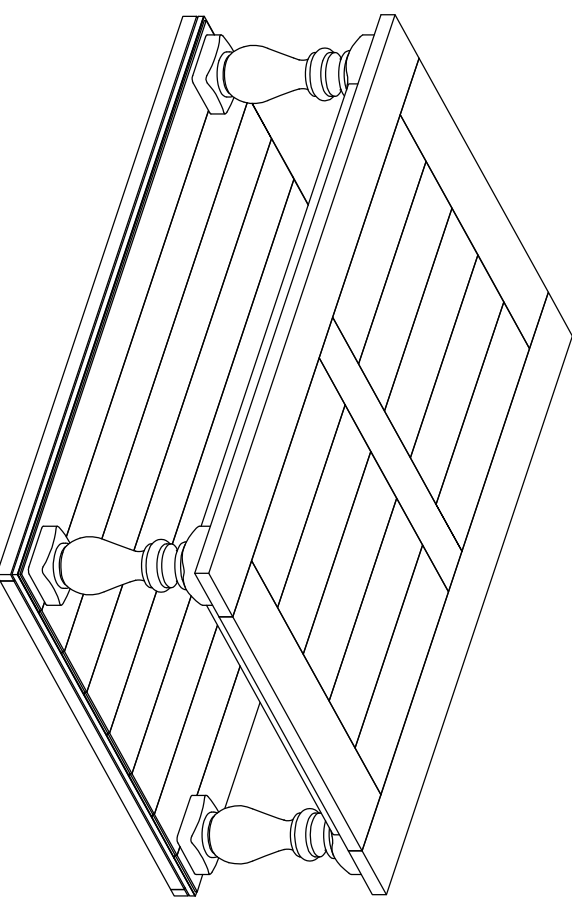

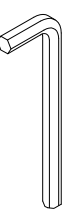


# ASSEMBLY INSTRUCTIONS

Group Name: St James  
 Description: Coffee Table  
 Item No: TN-314C

## LIST OF PARTS

LIST OF PARTS		Step. 1	Step. 2
<b>A. Table top</b> 			
<b>B. Leg</b>  4pcs	<b>C. Bottom panel</b>  1pc		
<b>LIST OF HARDWARE</b>			
<b>1. Bolt</b>  5/16" x 60mm(8pcs)	<b>2. Spring Washer</b>  5/16" (8pcs)	Completed 	
<b>3. Flat Washer</b>  5/16" x 19mm(8pcs)	<b>4. Allen key</b>  4mm(1 pc)		