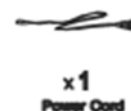
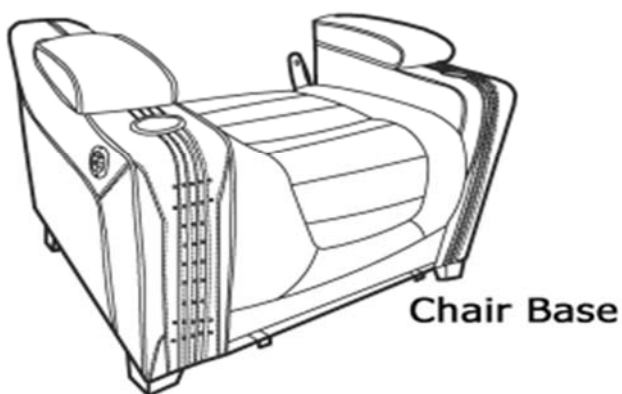


# POWER CHAIR WITH POWER HEADREST MODEL SANTA FE

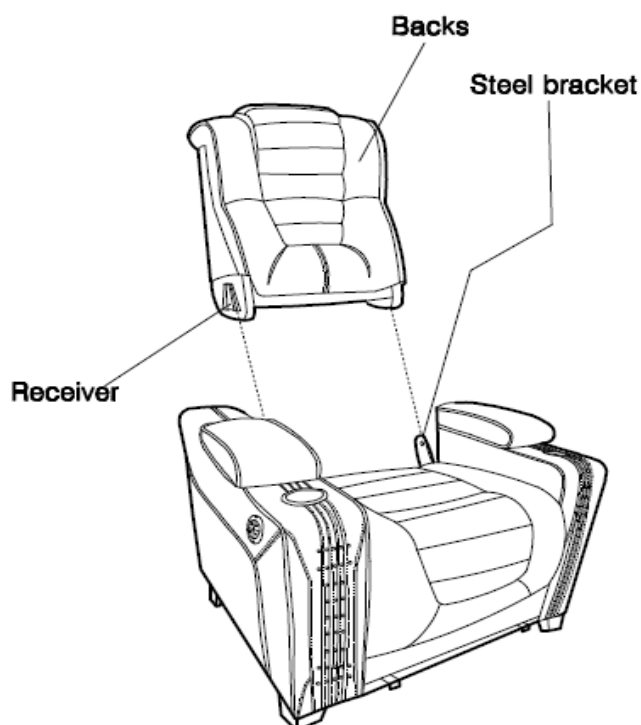
## ASSEMBLY INSTRUCTIONS

IMPORTANT, RETAIN FOR FUTURE REFERENCE: READ CAREFULLY

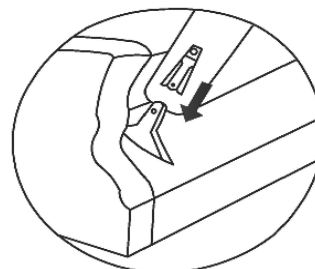
### Contents of Cartons



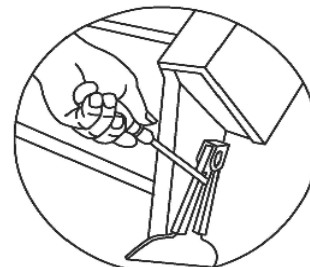
### Assembly - Chair



Step 1: Slide inside back receivers into the steel mechanism posts in the base of the furniture

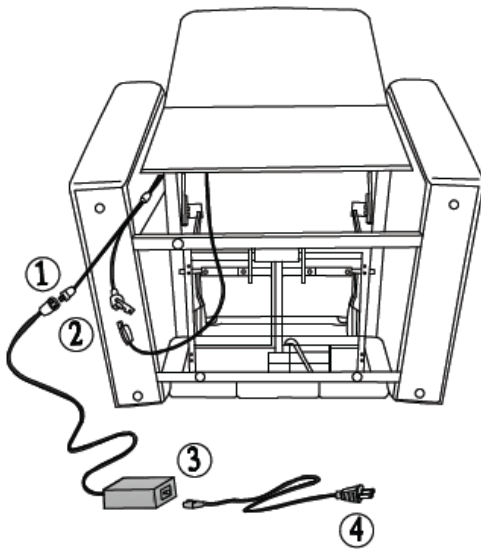


To remove the inside backs, use a screwdriver pressing outward on the black tab in the metal sleeve on both sides of the inside back and lift the inside back from the base of the Furniture

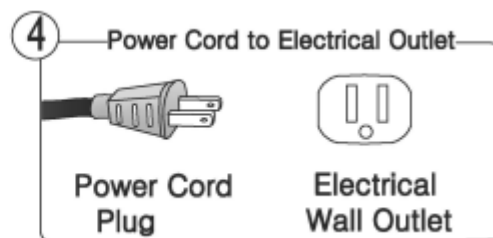
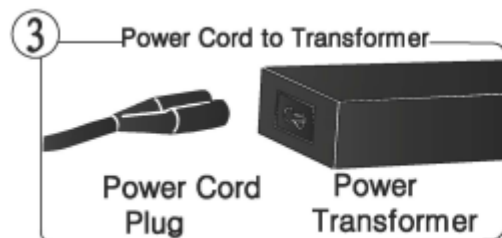
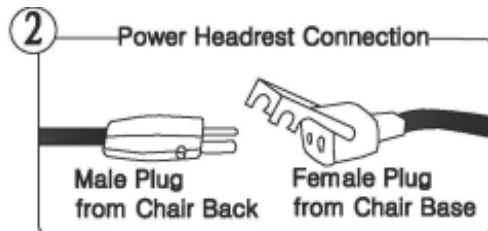
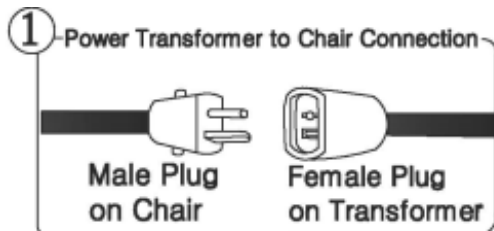


## Electrical Connections

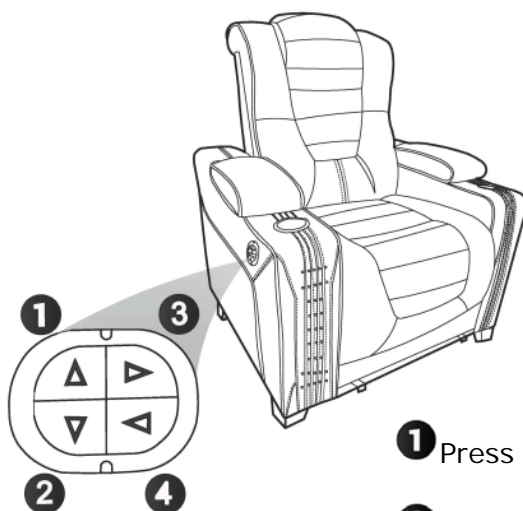
NOTE: The Power Transformer and Power Cord are located under the seats in separate boxes.



Power Transformer and Cord



## Electrical Controls



- 1 Press this button to raise the headrest up or forward
- 2 Press this button to lower the headrest back or down
- 3 Press this button to raise the chair to the upright seated position
- 4 Press this button to recline the chair to your desired position