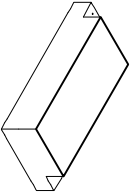
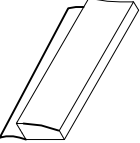




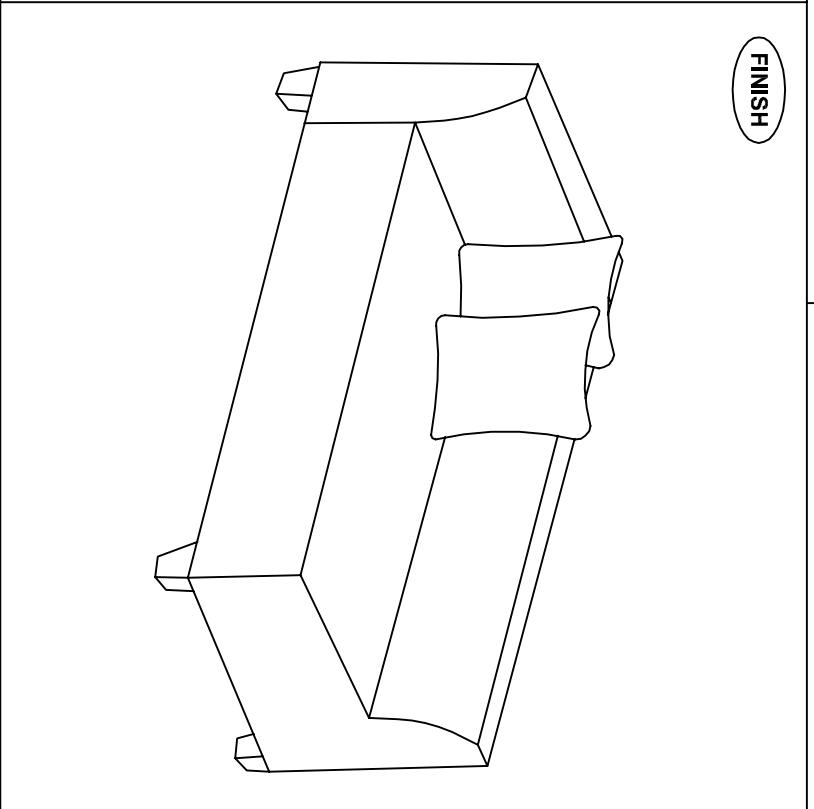
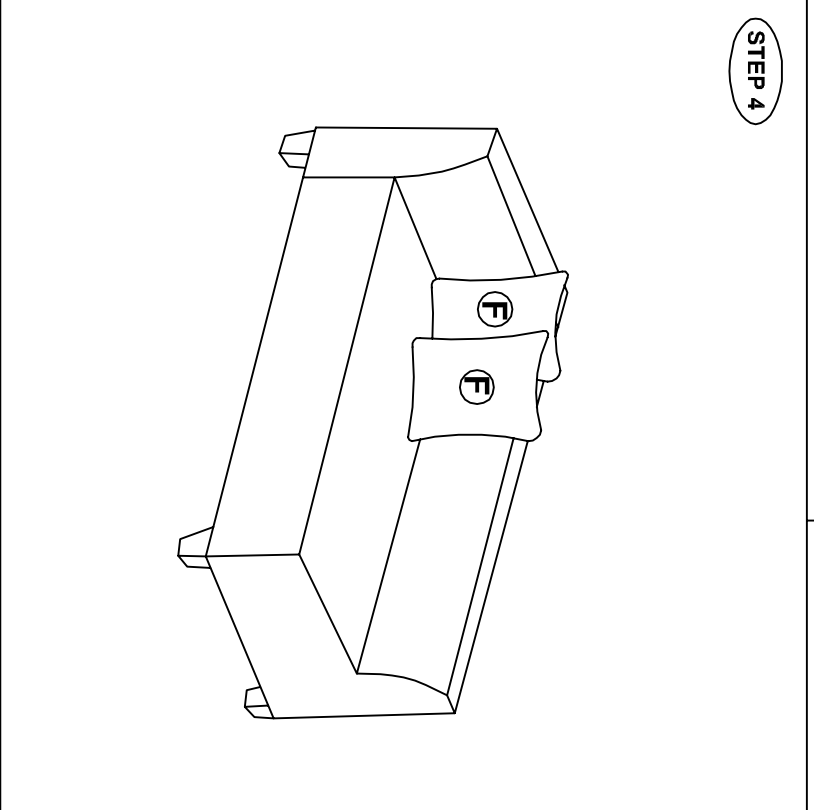
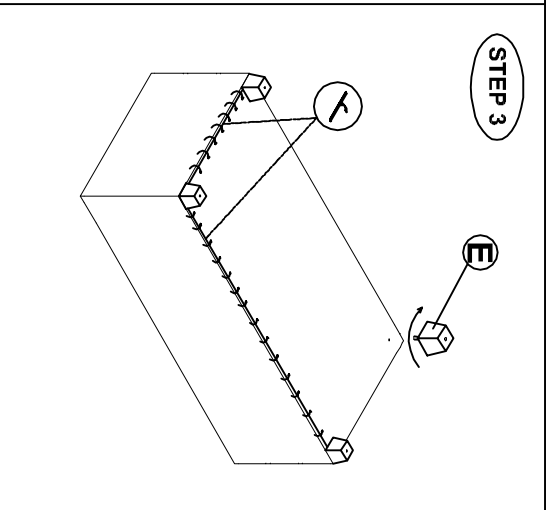
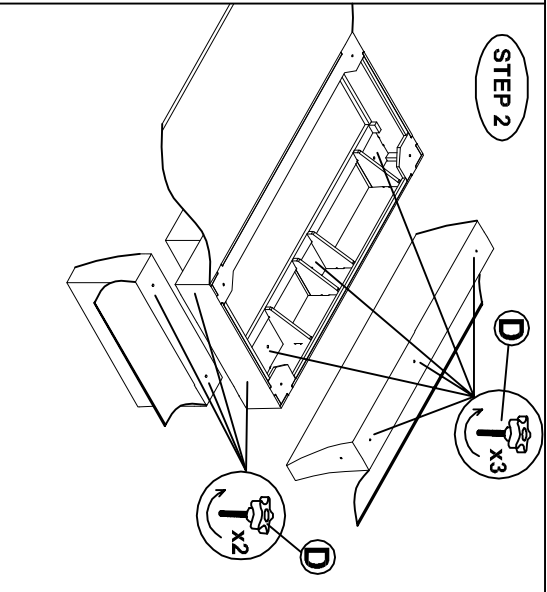
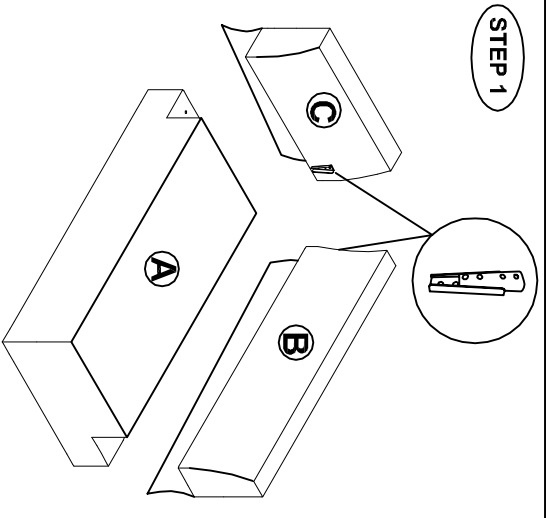
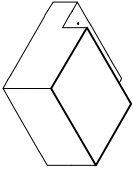

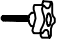




ITEM : 6170-55KD-TW
PARTS LIST

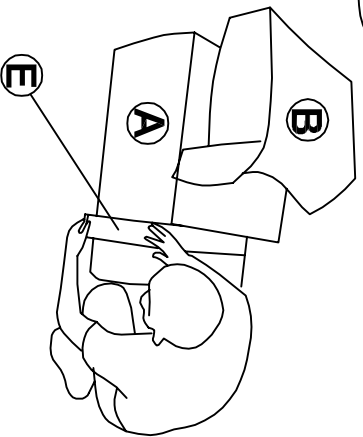
| NO | DESCRIPTION | PART | QTY |
|----|---------------|---|------|
| A | SEAT |  | 1pc |
| B | BACK |  | 1pc |
| C | ARM |  | 1pc |
| D | BOLTS |  | 5pcs |
| E | LEGS |  | 4pcs |
| F | THROW PILLOWS |  | 2pcs |



ITEM : 6170-20KD-TW
PARTS LIST

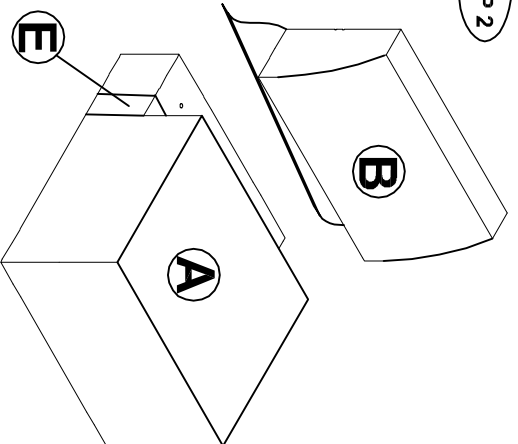
| NO | DESCRIPTION | PART | QTY |
|----|--------------|---|------|
| A | SEAT |  | 1pc |
| B | BACK |  | 1pc |
| C | BOLTS |  | 2pcs |
| D | LEGS |  | 4pcs |
| E | FABRIC STRAP |  | 1pc |

STEP 1

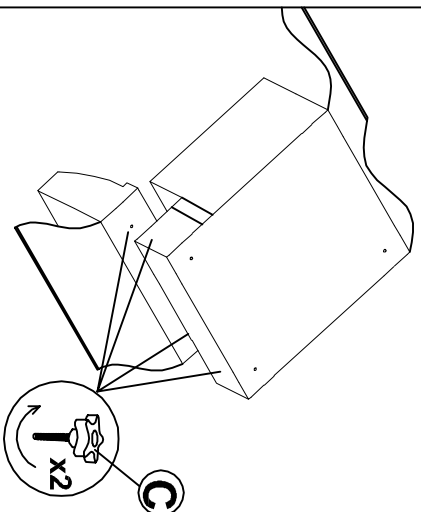


ATTACH FABRIC STRAP TO VELCRO ON BOTTOM OF SEAT, PULL IT OVER TO THE OTHER SIDE AND ATTACH TO VELCRO ON THE BOTTOM OF SEAT

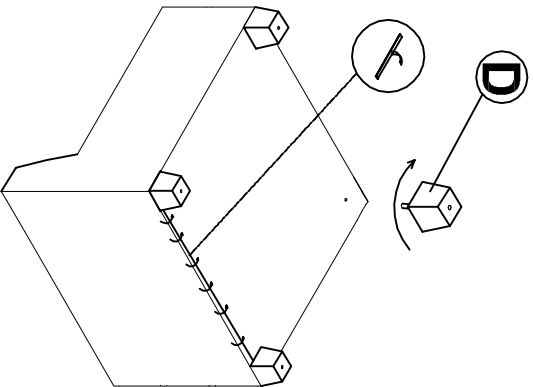
STEP 2



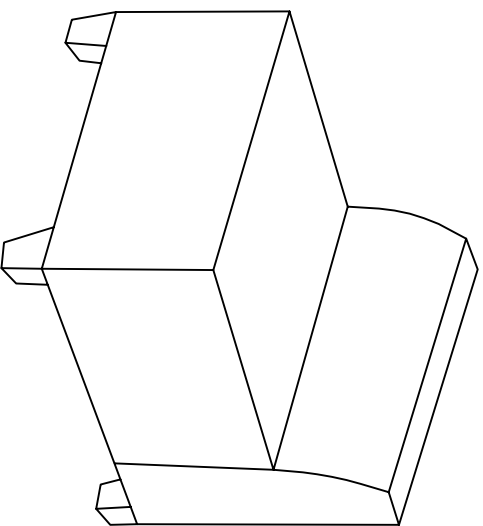
STEP 3



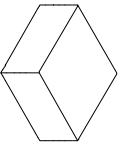

STEP 4



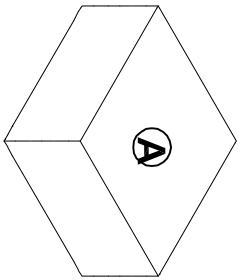
FINISH



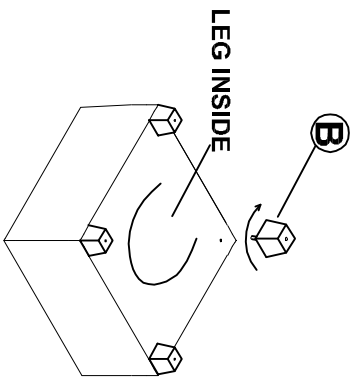
ITEM : 6170-30-TW
PARTS LIST

| NO | DESCRIPTION | PART | QTY |
|----|-------------|---|------|
| A | SEAT |  | 1pc |
| B | LEGS |  | 4pcs |

STEP 1



STEP 2



FINISH

