


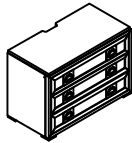

# ASSEMBLY INSTRUCTIONS FOR

## 1901-NS-W Wood nightstand

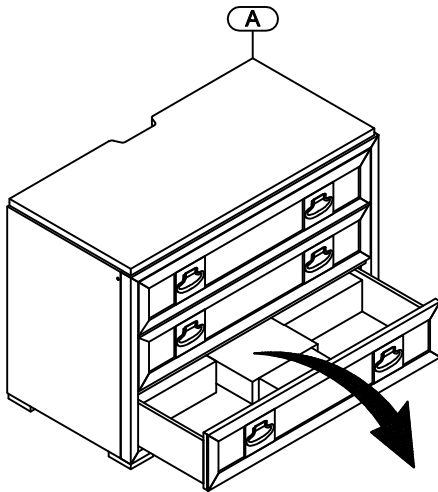
### HARDWARE LIST OF WOOD NIGHTSTAND

NO.	SKETCH	COMPONENT	Q'TY
1		Tipping restraint	1pc

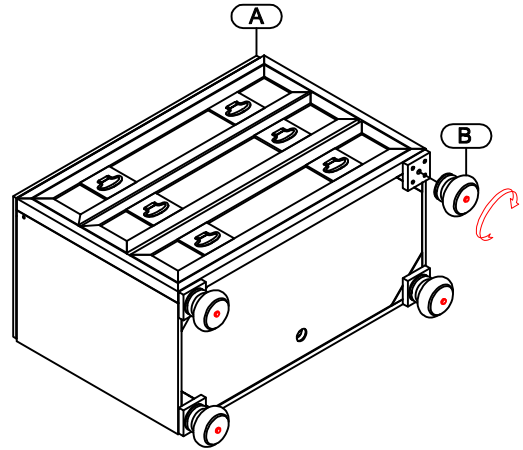
### PART LISTS

NO.	DESCRIPTION	PICTURE	QTY
A	Wood nightstand		1pc
B	Bunfeet		4pcs

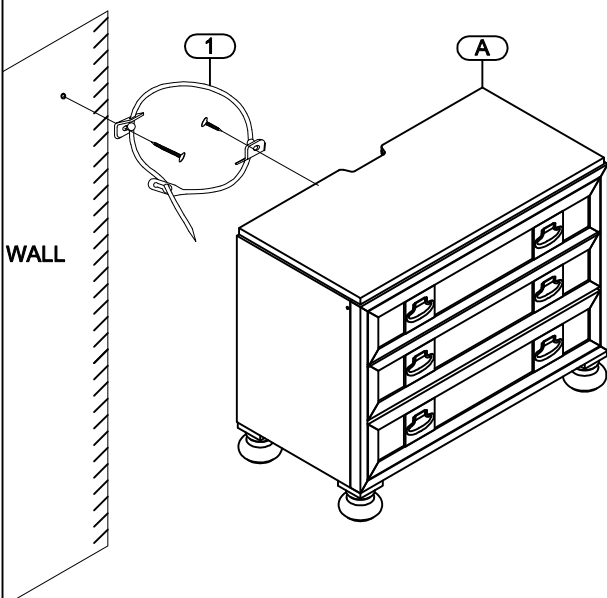
#### STEP 1



#### STEP 2



#### STEP 3



#### COMPLETE

