






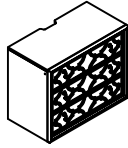
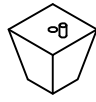
# ASSEMBLY INSTRUCTIONS FOR

## 1901-NS-Mirrored Nightstand

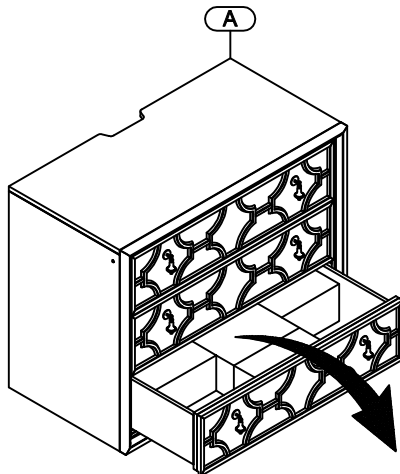
### HARDWARE LIST OF MIRRORED NIGHTSTAND

NO.	SKETCH	COMPONENT	Q'TY
1		JCBC Bolt Ø5/16**3-3/8"	4pcs
2		Spring Washer Ø5/16**12mm	4pcs
3		Flat Washer Ø5/16**16mm	4pcs
4		Allen Wrench 4mm	1pc
5		Tipping restraint	1pc

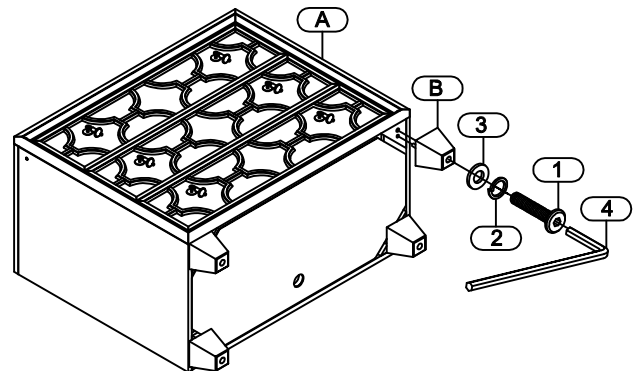
### PART LISTS

NO.	DESCRIPTION	PICTURE	QTY
A	Mirrored Nightstand		1pc
B	Bunfeet		4pcs

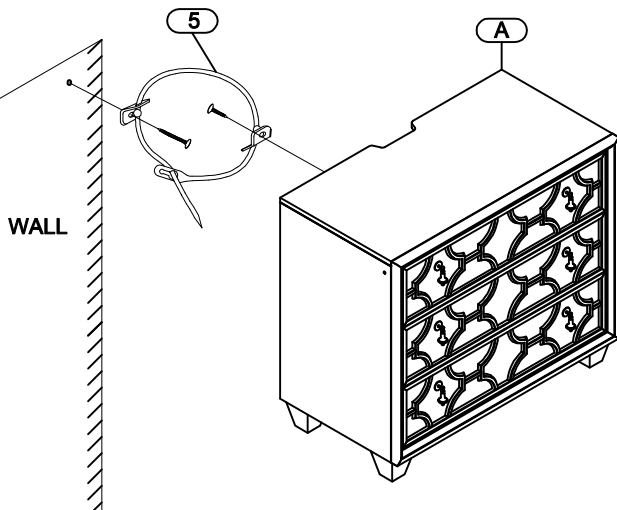
#### STEP 1



#### STEP 2



#### STEP 3



#### COMPLETE

