



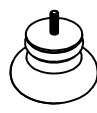
# ASSEMBLY INSTRUCTIONS FOR

## 1901-CH 6-Drawer chest

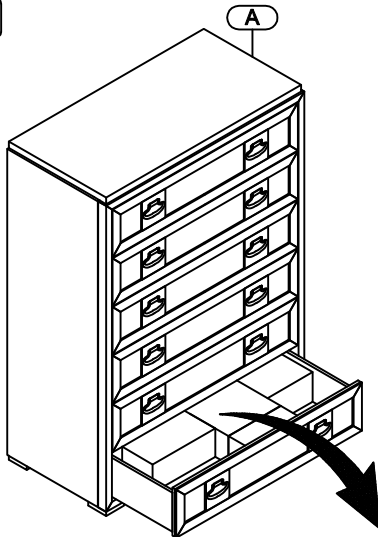
### HARDWARE LIST OF CHEST

NO.	SKETCH	COMPONENT	Q'TY
1		Tipping restraint	1pc

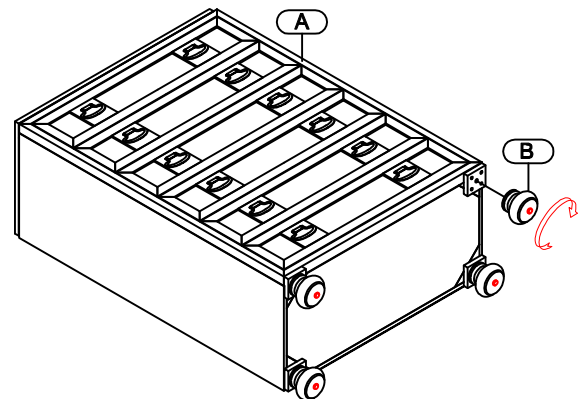
### PART LISTS

NO.	DESCRIPTION	PICTURE	QTY
A	Chest		1pc
B	Bunfeet		4pcs

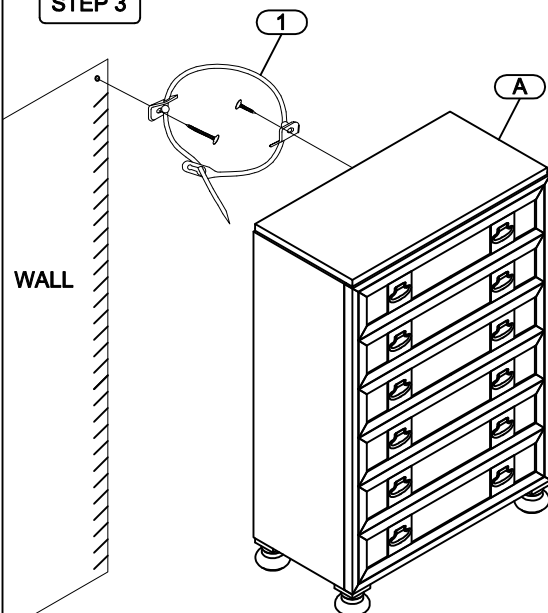
#### STEP 1



#### STEP 2



#### STEP 3



#### COMPLETE

