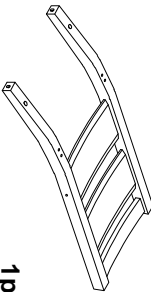
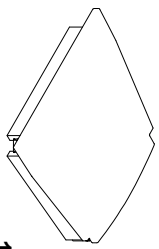

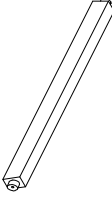
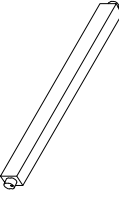
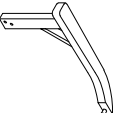
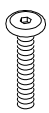
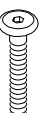
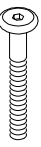



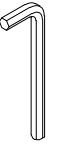


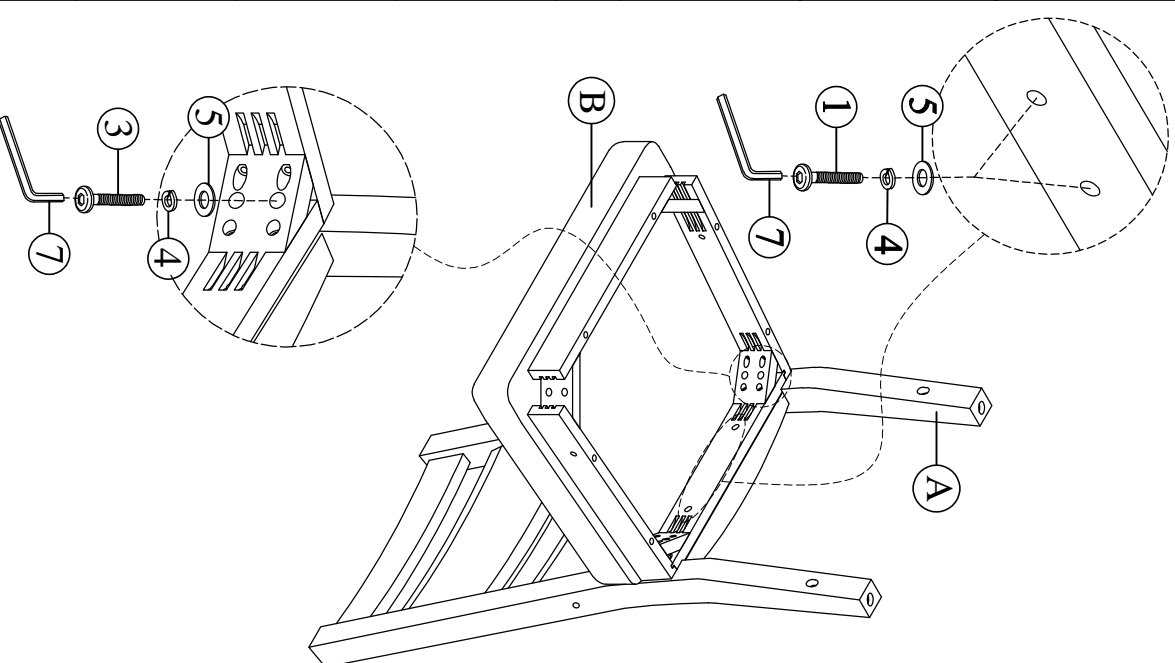
ASSEMBLY INSTRUCTIONS

Group Name: Rio Grande
 Description: Arm Chair
 Item No: TN-403-AC

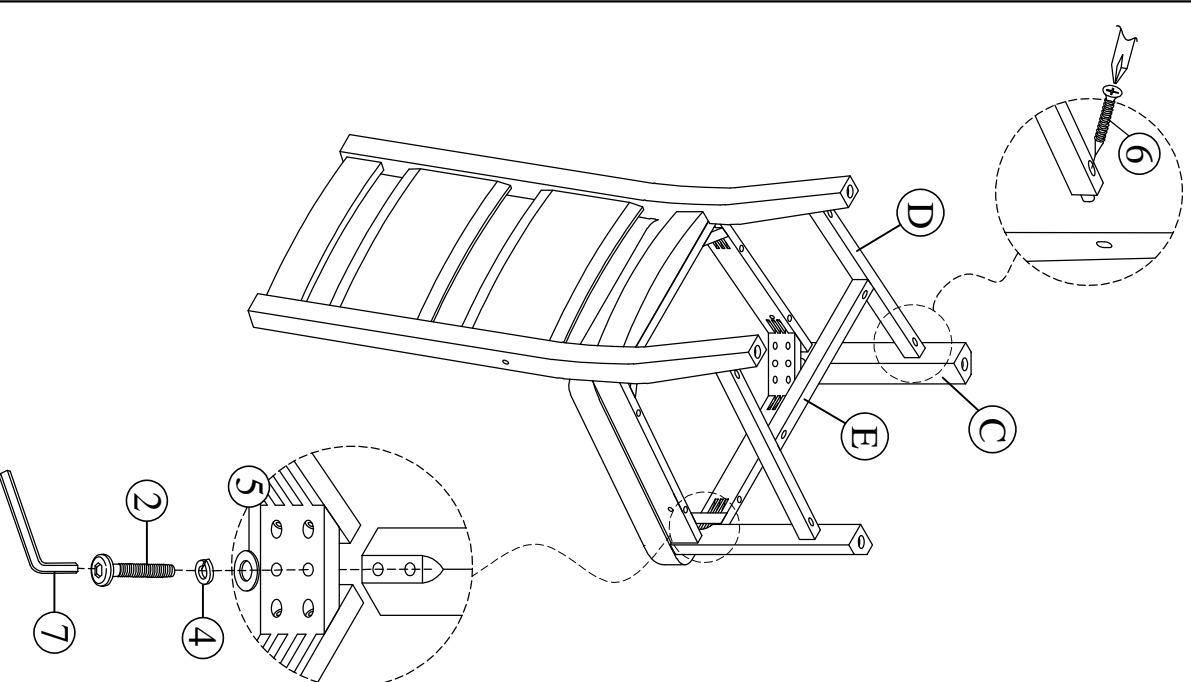
LIST OF PARTS

A. Chair back  1pc	B. Seat Frame  1pc
C. Front leg  1L; 1R	D. Side stretcher  1L; 1R
E. Center stretcher  1pc	F. Arm frame  1L; 1R
HARDWARE LIST	
1. Short bolt  1/4" x 40mm(4 pcs)	2. Medium bolt  1/4" x 60mm(4 pcs)
3. Long bolt  1/4" x 75mm(4 pcs)	4. Spring washer  1/4" (10 pcs)
5. Flat washer  1/4" (10 pcs)	6. Screws  #4 x 38mm(8 pcs)
7. Allen key  4mm(1 pc)	

Step. 1



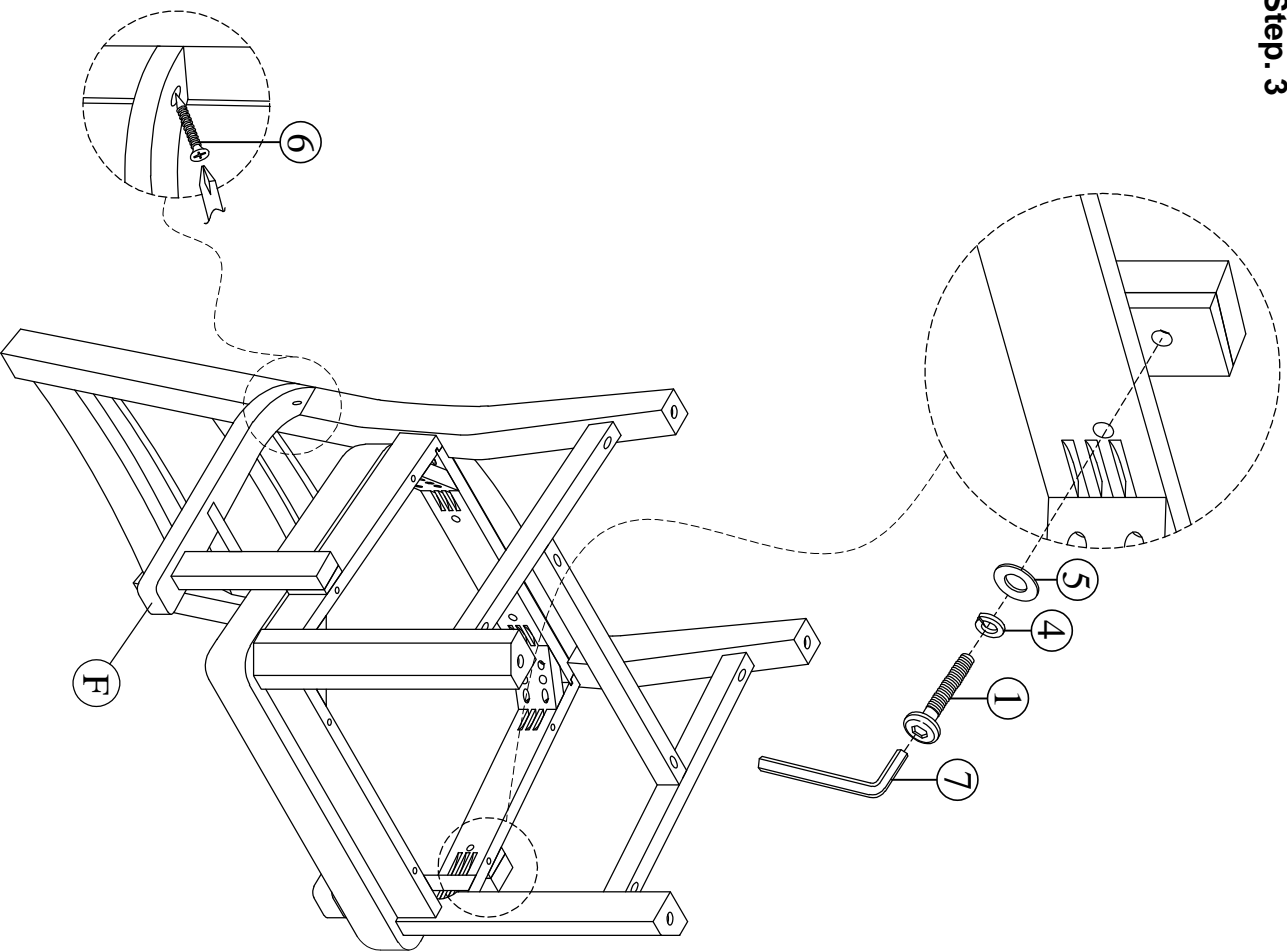
Step. 2



ASSEMBLY INSTRUCTIONS

Group Name: Rio Grande
Description: Arm Chair
Item No.: TN-403-AC

Step. 3



Completed

