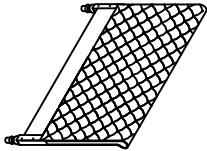
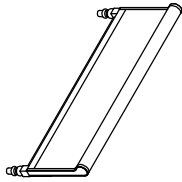

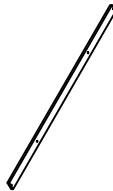
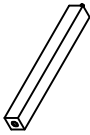
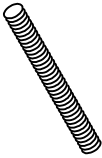



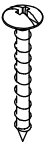


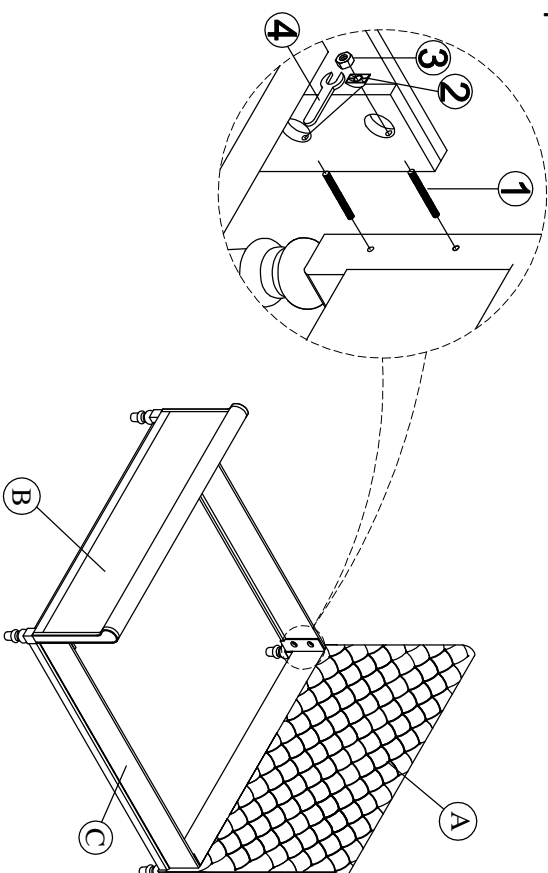
ASSEMBLY INSTRUCTIONS

Group Name: Reconstruction
 Description: King bed
 Item No: B010KB

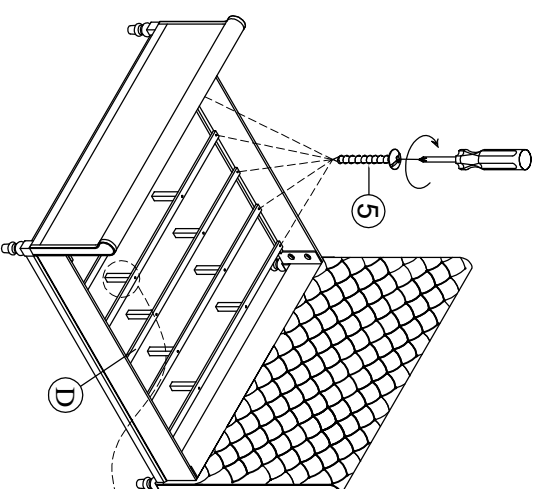
LIST OF PARTS

(A) Head board  1 pc	(B) Foot board  1 pc
(C) Side rail  2 pcs	(D) Slats  5 pcs
(E) Support with leveler  10 pcs	
LIST OF HARDWARE	
1. Bolts  5/16" x 83mm(8 pcs)	2. Washer  5/16"(8 pcs)
3. Nut  5/16"(8 pcs)	4. Spanner  5/16"(1 pc)
5. Screw  #4 x 30mm(10 pcs)	

Step.1



Step.2



Step.3

