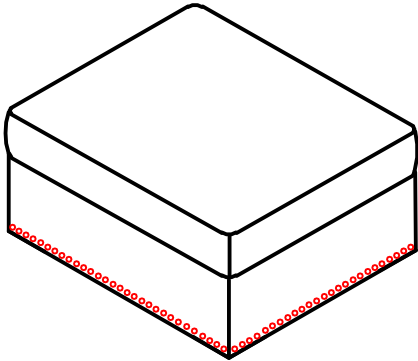
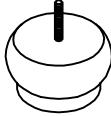
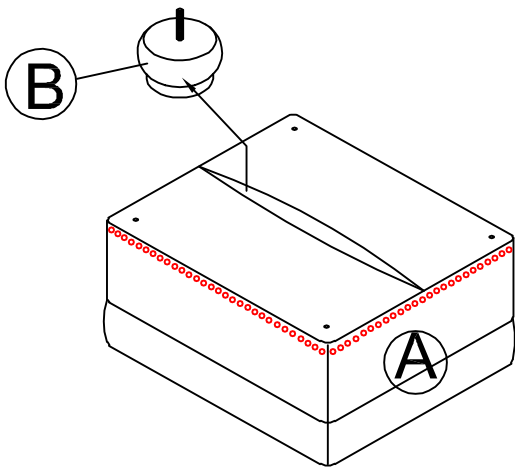


# ITEM : 913-30

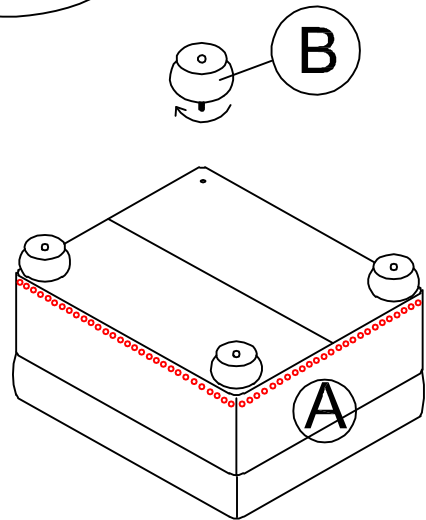
## PARTS LIST

NO	DESCRIPTION	PART	QTY
A	OTTOMAN		1pc
B	LEG		4pcs

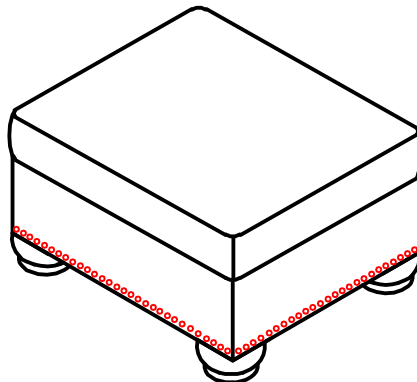
### STEP 1



### STEP 2



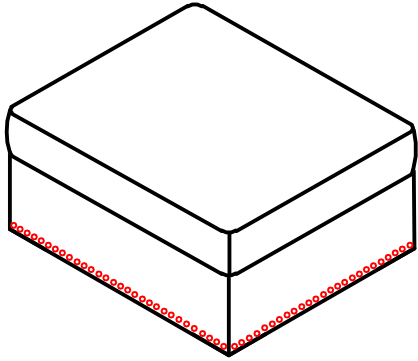
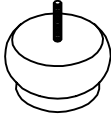
### FINISH



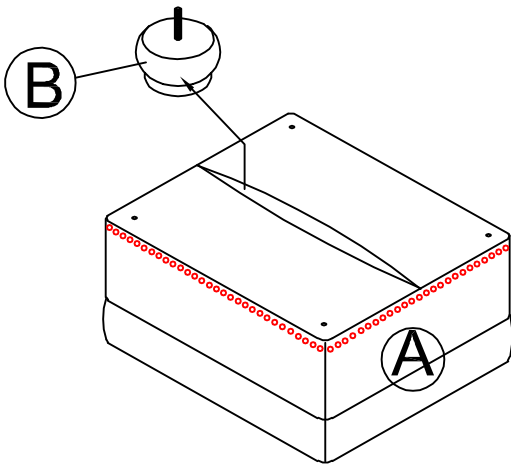
**LEGS INSIDE SEAT DECK**

# ITEM : 913-O

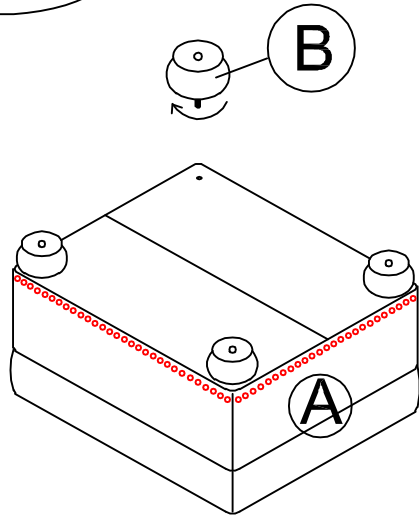
## PARTS LIST

NO	DESCRIPTION	PART	QTY
A	OTTOMAN		1pc
B	LEG		4pcs

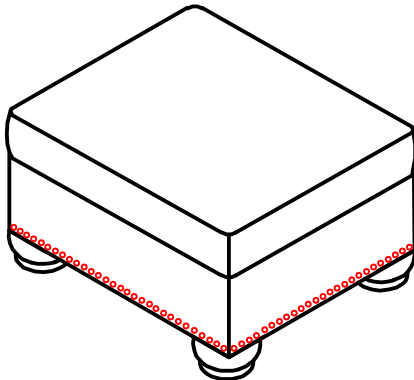
### STEP 1



### STEP 2



### FINISH



**LEGS INSIDE SEAT DECK**