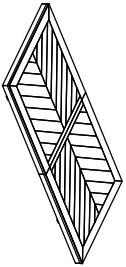
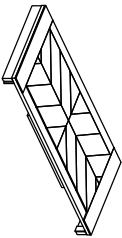
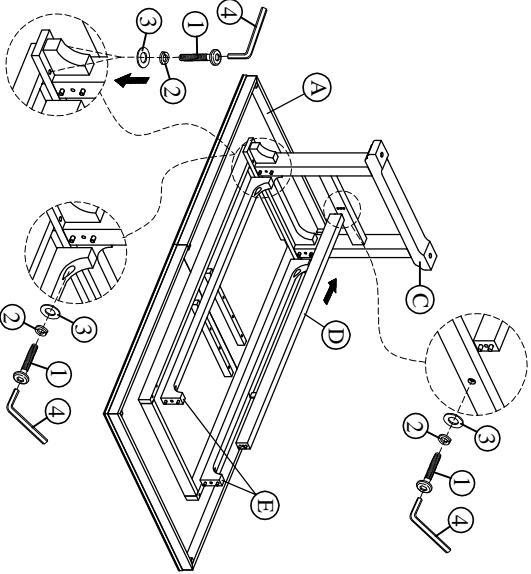
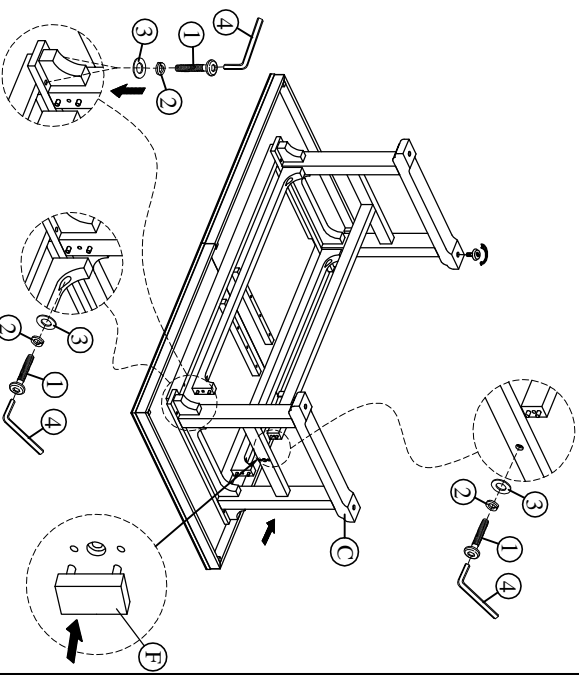
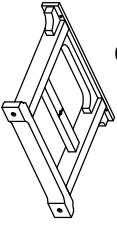
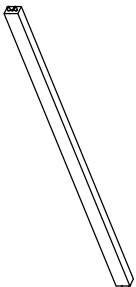
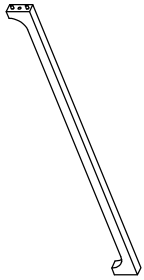
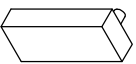
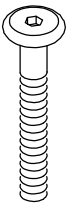

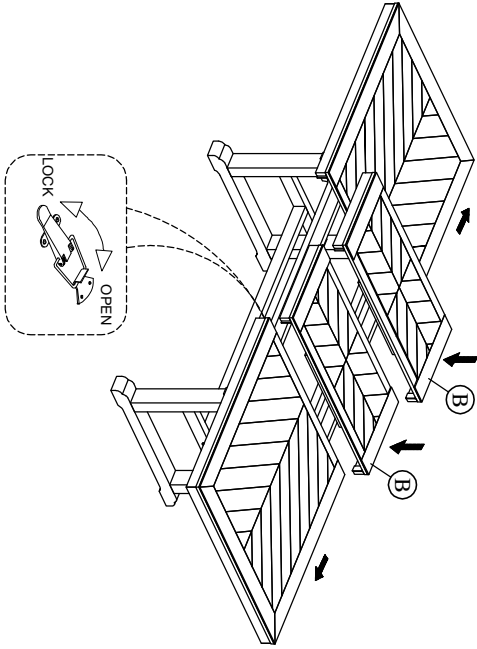
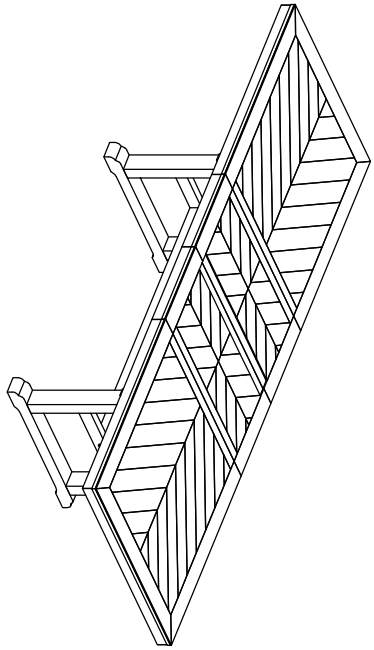
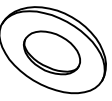
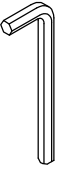


ASSEMBLY INSTRUCTIONS

Group Name: PORT ARTHUR
 Description: Long Dining Table
 Item No: TN-301-LTT/TN-301-LTB

LIST OF PARTS		STEP.1	STEP.2
A. Top Table  1pc	B. Leaf  2pcs		
C. Leg  2pcs	D. Center stretcher  1pc		
E. Side stretcher  2pcs	F. Stretcher Plate  2pcs		
LIST OF HARDWARE			
1. Bolt  5/16" x 50mm(14pcs)	2. Spring Washer  5/16" (14pcs)		
3. Flat Washer  5/16" x 19mm(14pcs)	4. Allen key  4mm(1 pc)		