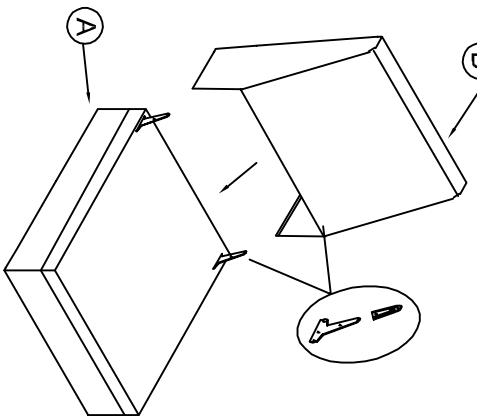


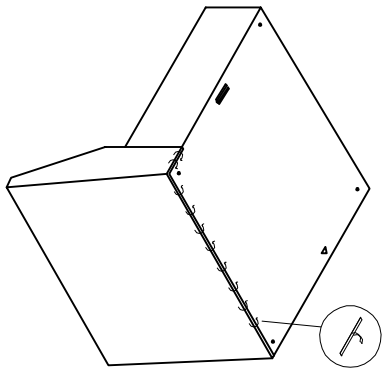
**ITEM : 4770-A**  
PARTS LIST

| NO | DESCRIPTION  | PART | QTY  |
|----|--------------|------|------|
| A  | SEAT         |      | 1pc  |
| B  | BACK         |      | 1pc  |
| C  | LEGS         |      | 4pcs |
| D  | BACK PILLOWS |      | 1pc  |
| E  | CUSHIONS     |      | 1pc  |

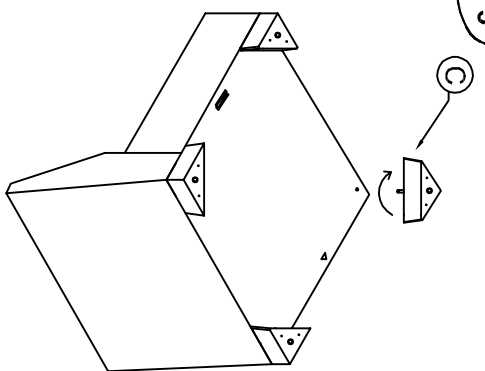
**STEP 1**



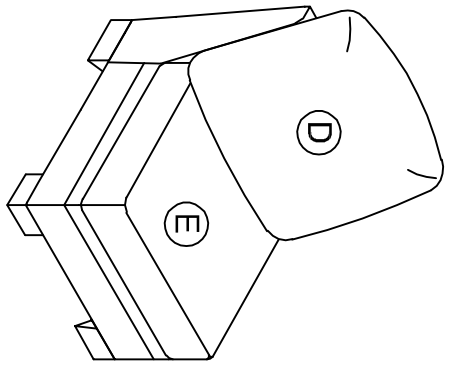
**STEP 2**



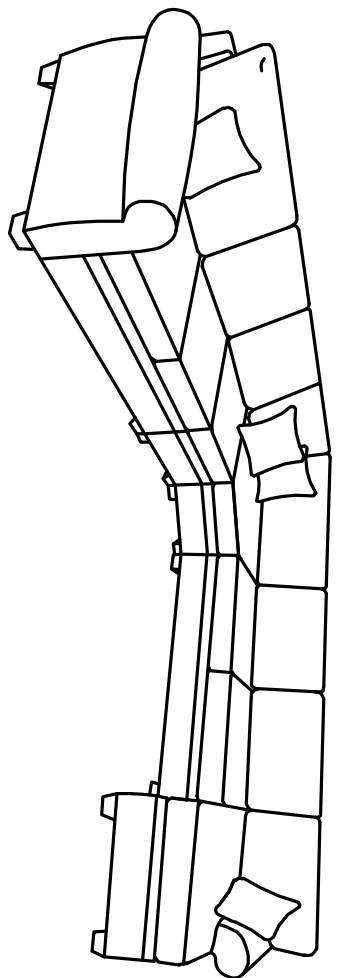
**STEP 3**



**FINISH**



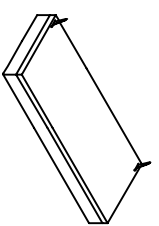
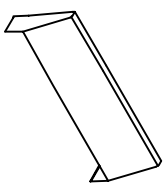

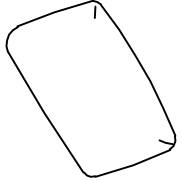
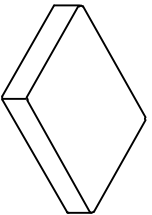
**ALL IN 1 SET**



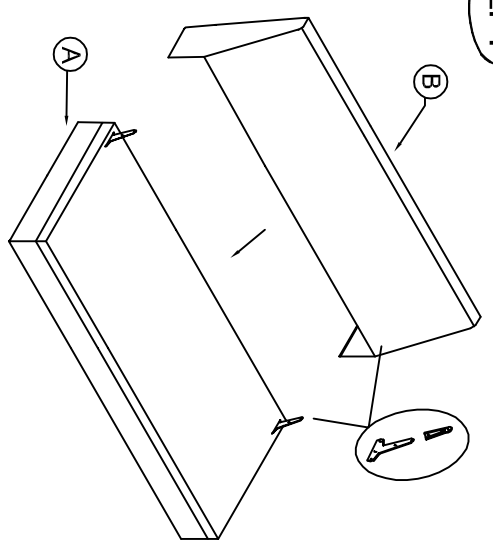
**Please Check Underneath Seat Deck For Any Parts That May Be Inside**

**ITEM : 4770-AL**

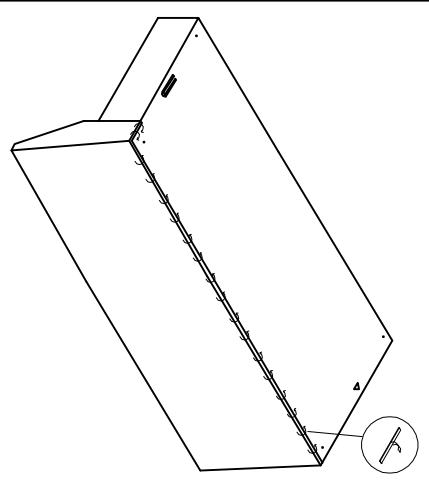
PARTS LIST

| NO | DESCRIPTION  | PART  | QTY  |
|----|--------------|---|------|
| A  | SEAT         |  | 1pc  |
| B  | BACK         |  | 1pc  |
| C  | LEGS         |   | 4pcs |
| D  | BACK PILLOWS |    | 2pcs |
| E  | CUSHIONS     |    | 2pcs |

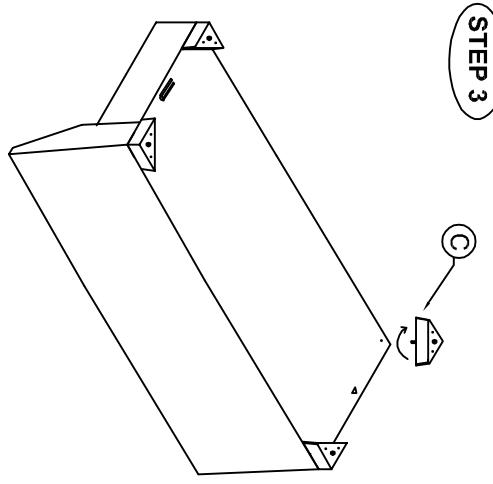
**STEP 1**



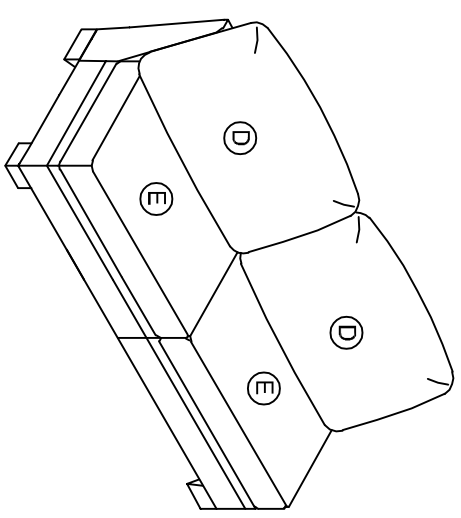
**STEP 2**



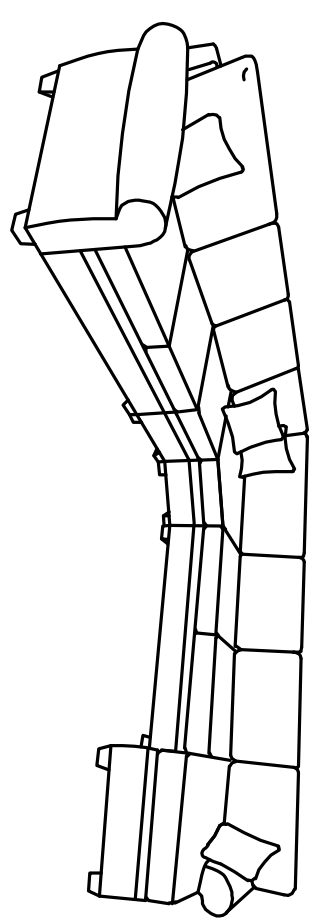
**STEP 3**



**FINISH**



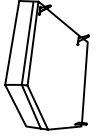
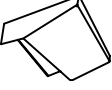






**ALL IN 1 SET**



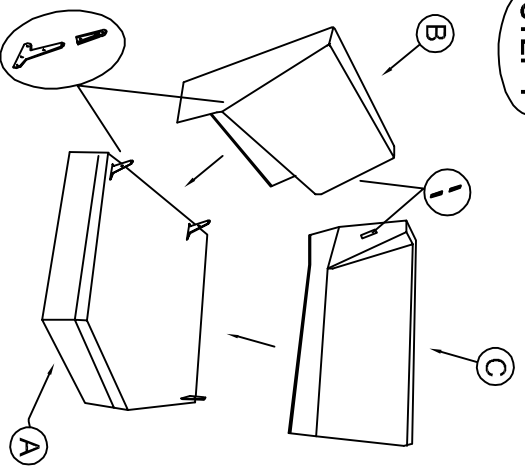
**Please Check Underneath Seat Deck For Any Parts That May Be Inside**

**ITEM : 4770-W**

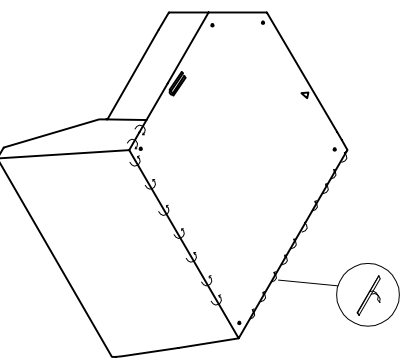
**PARTS LIST**

| NO | DESCRIPTION       | PART  | QTY  |
|----|-------------------|---|------|
| A  | SEAT              |  | 1pc  |
| B  | LEFT BACK         |  | 1pc  |
| C  | RIGHT BACK        |   | 1pc  |
| D  | LEGS              |    | 5pcs |
| E  | LEFT BACK PILLOW  |    | 1pc  |
| F  | RIGHT BACK PILLOW |    | 1pc  |
| G  | CUSHIONS          |    | 1pc  |
| H  | THROW PILLOWS     |    | 2pcs |

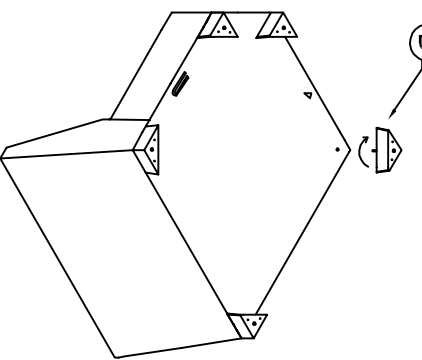
**STEP 1**



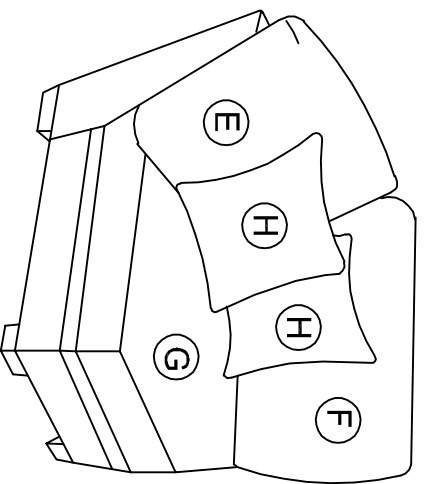
**STEP 2**



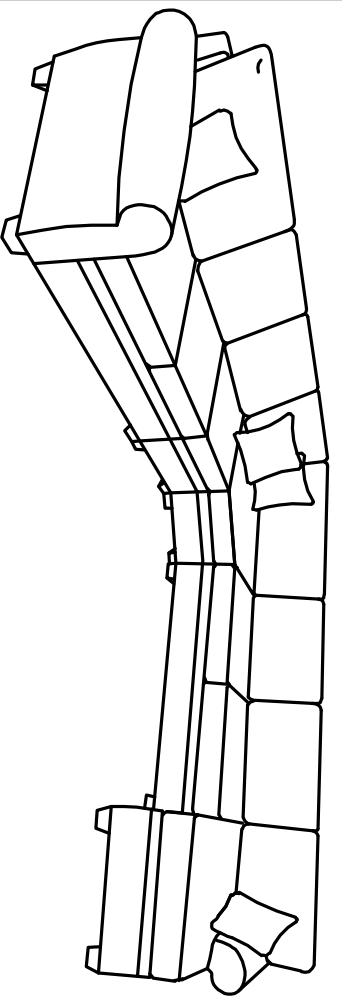
**STEP 3**



**FINISH**



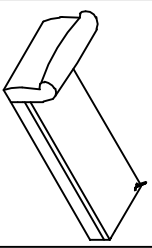
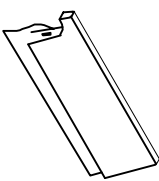

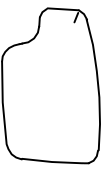

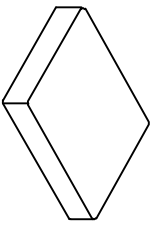

**ALL IN 1 SET**



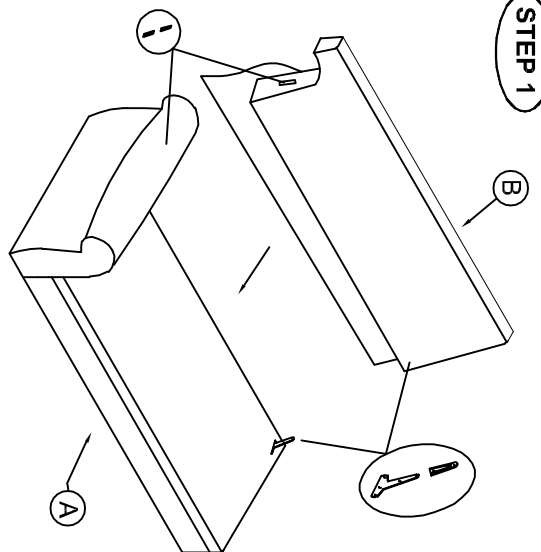
**Please Check Underneath Seat Deck For Any Parts That May Be Inside**

# ITEM : 4770-L-LA

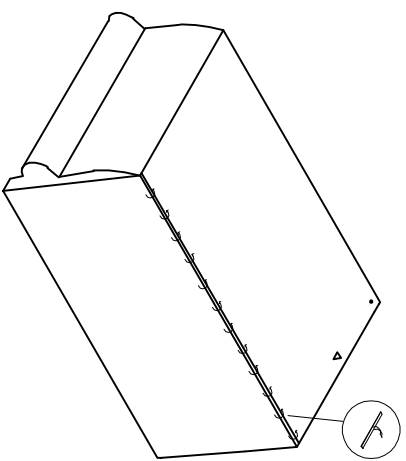
## PARTS LIST

| NO | DESCRIPTION       | PART  | QTY  |
|----|-------------------|---|------|
| A  | SEAT              |  | 1pc  |
| B  | BACK              |  | 1pc  |
| C  | LEGS              |   | 4pcs |
| D  | LEFT BACK PILLOW  |    | 1pc  |
| E  | RIGHT BACK PILLOW |    | 1pc  |
| F  | CUSHIONS          |    | 2pcs |
| G  | THROW PILLOWS     |    | 1pc  |

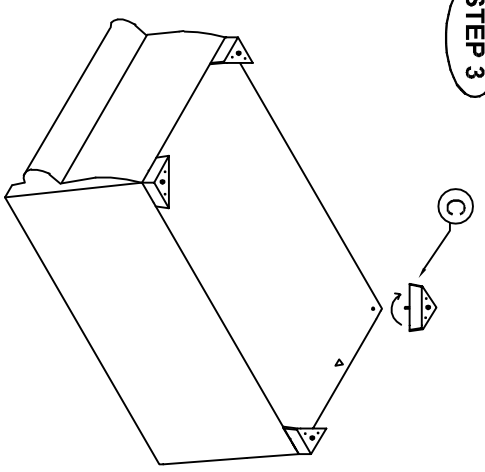
### STEP 1



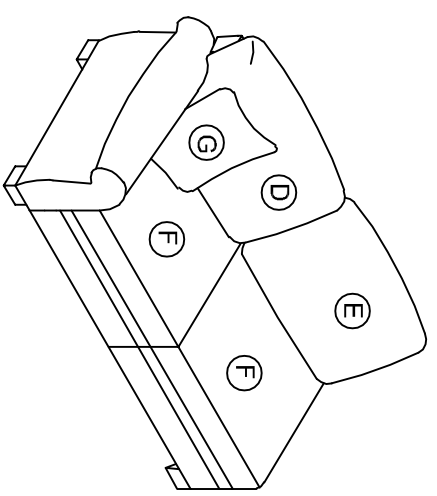
### STEP 2



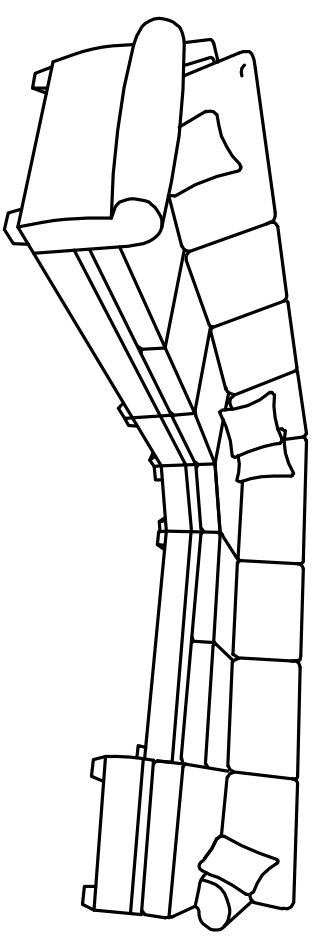
### STEP 3



### FINISH

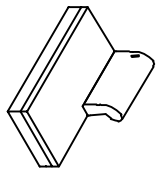
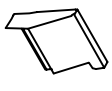


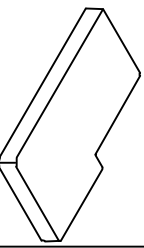



### ALL IN 1 SET

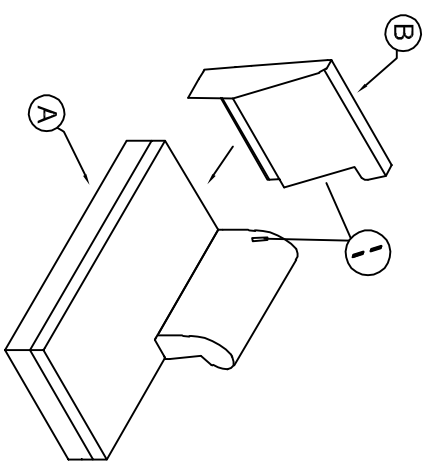


**Please Check Underneath Seat Deck For Any Parts That May Be Inside**

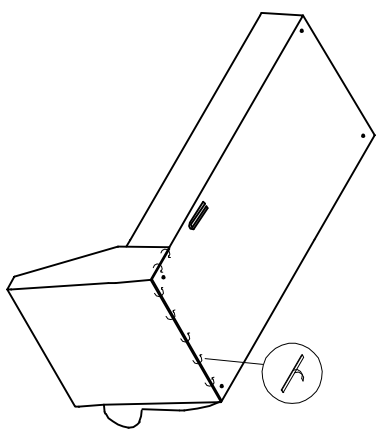
**ITEM : 4770-C-RA**  
PARTS LIST

| NO | DESCRIPTION   | PART  | QTY  |
|----|---------------|---|------|
| A  | SEAT          |  | 1pc  |
| B  | BACK          |  | 1pc  |
| C  | LEGS          |   | 4pcs |
| D  | BACK PILLOW   |    | 1pc  |
| E  | CUSHIONS      |    | 1pc  |
| F  | THROW PILLOWS |    | 1pc  |

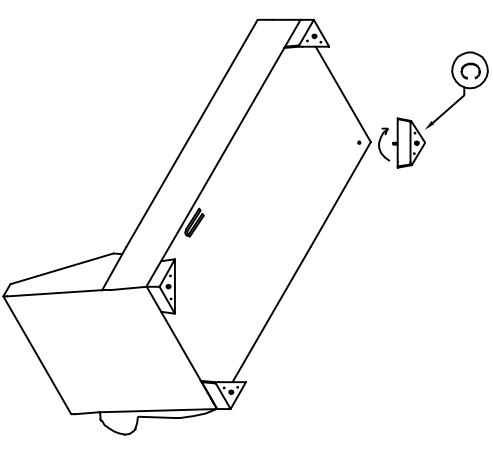
STEP 1



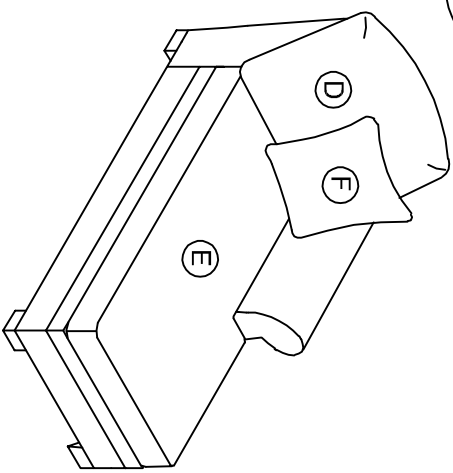
STEP 2



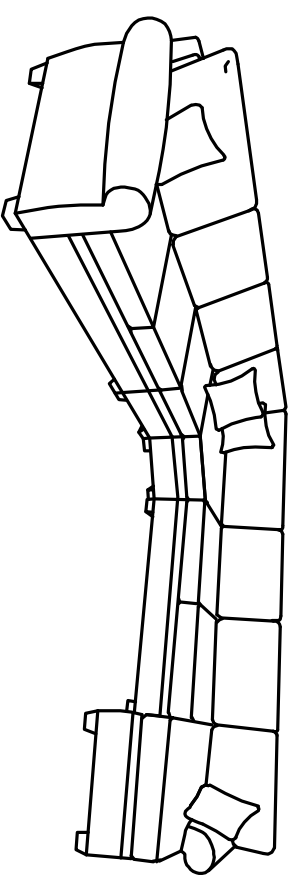
STEP 3



FINISH



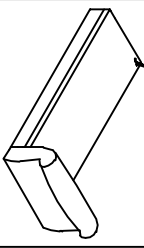
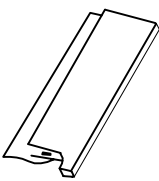



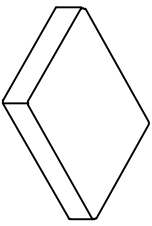

ALL IN 1 SET



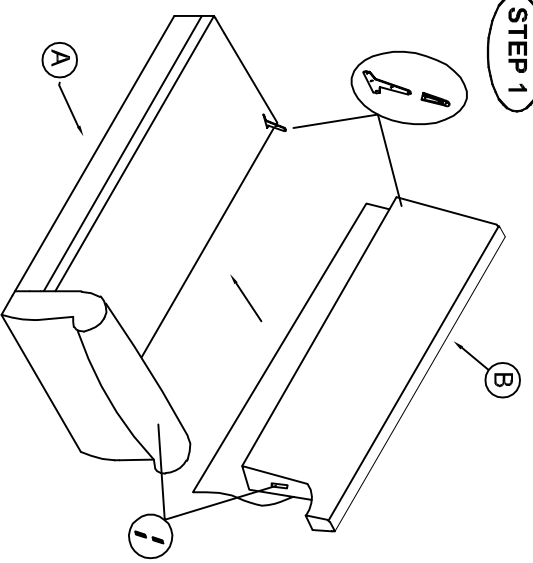
**Please Check Underneath Seat Deck For Any Parts That May Be Inside**

# ITEM : 7-4770-L-RA

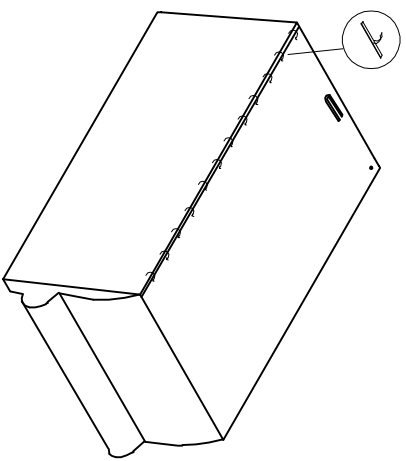
## PARTS LIST

| NO | DESCRIPTION          | PART  | QTY  |
|----|----------------------|---|------|
| A  | SEAT                 |  | 1pc  |
| B  | BACK                 |  | 1pc  |
| C  | LEGS                 |   | 4pcs |
| D  | RIGHT BACK<br>PILLOW |    | 1pc  |
| E  | LEFT BACK<br>PILLOW  |    | 1pc  |
| F  | CUSHIONS             |    | 2pcs |
| G  | THROW<br>PILLOWS     |    | 1pc  |

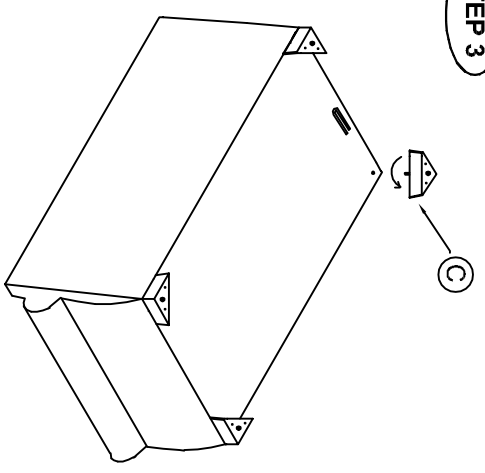
### STEP 1



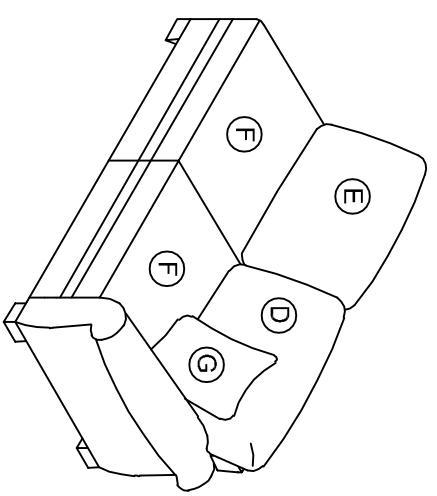
### STEP 2



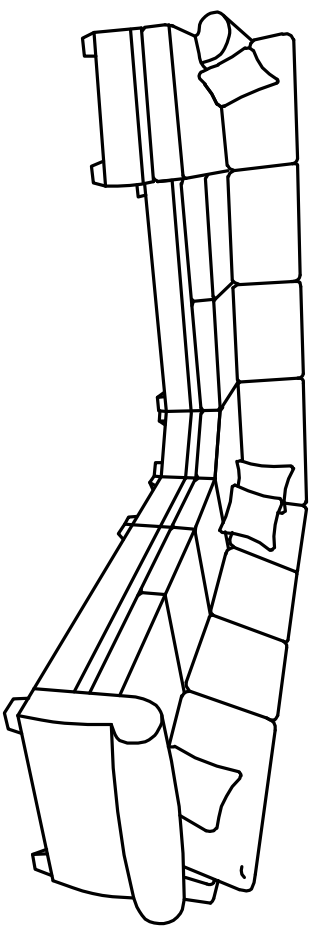
### STEP 3



### FINISH

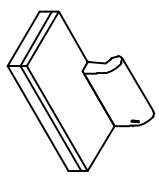


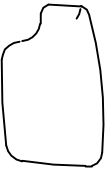
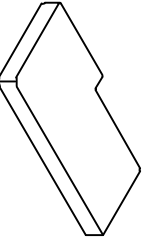



### ALL IN 1 SET

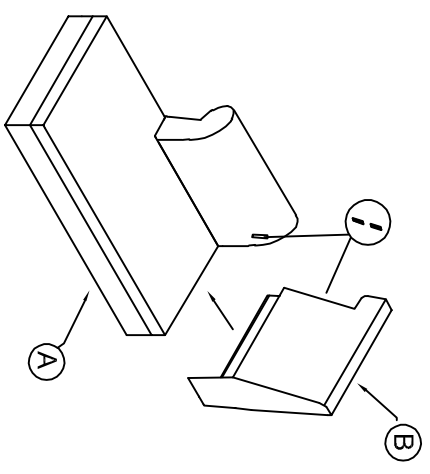


**Please Check Underneath Seat Deck For Any Parts That May Be Inside**

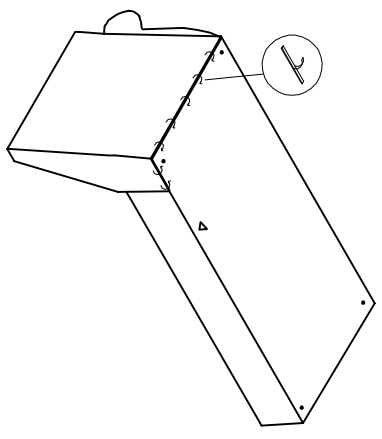
**ITEM : 7-4770-C-LA**  
PARTS LIST

| NO | DESCRIPTION   | PART  | QTY  |
|----|---------------|---|------|
| A  | SEAT          |  | 1pc  |
| B  | BACK          |  | 1pc  |
| C  | LEGS          |   | 4pcs |
| D  | BACK PILLOW   |    | 1pc  |
| E  | CUSHIONS      |    | 1pc  |
| F  | THROW PILLOWS |    | 1pc  |

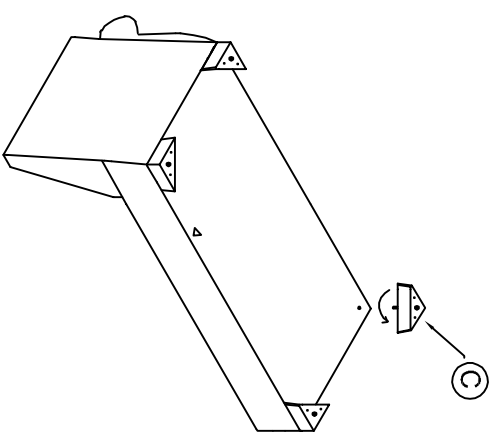
**STEP 1**



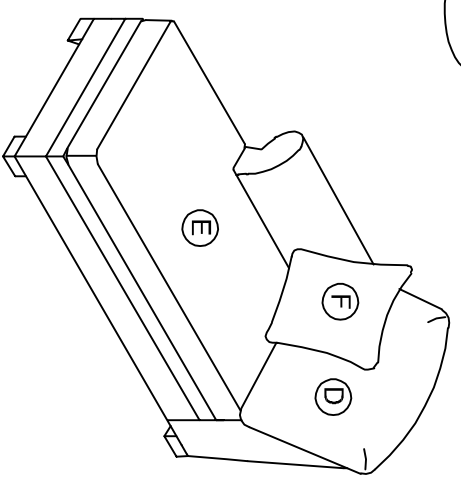
**STEP 2**



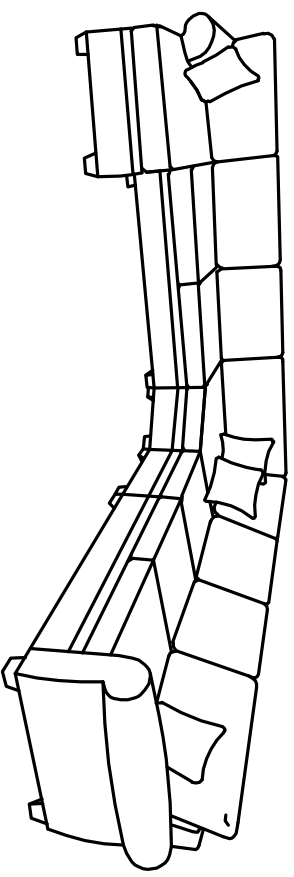
**STEP 3**



**FINISH**



**ALL IN 1 SET**



**Please Check Underneath Seat Deck For Any Parts That May Be Inside**