
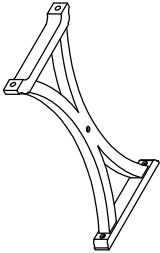

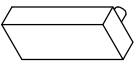


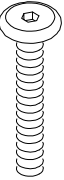
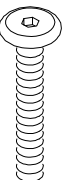


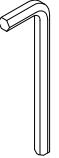
# ASSEMBLY INSTRUCTIONS

Group Name: Petaluma  
 Description: Bar Table  
 Item No: TN-429BSOAK & TN-429BSGREY

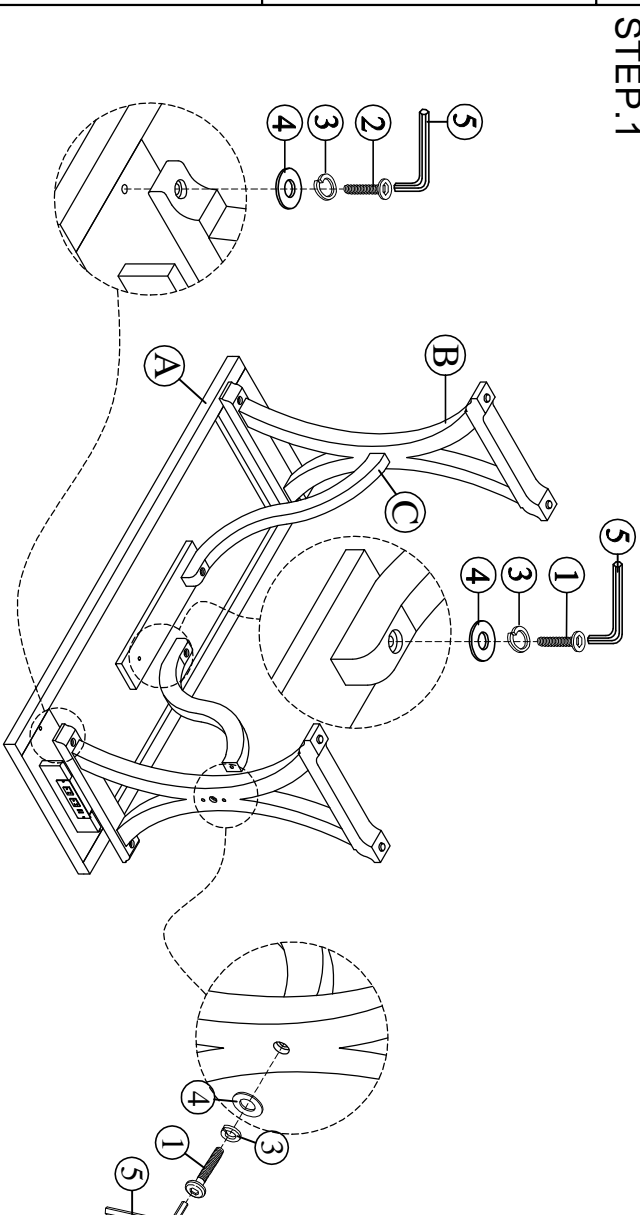
## LIST OF PARTS

<b>A. Top Table</b>  1pc	<b>B. Leg</b>  2pcs
<b>C. Stretcher</b>  2pcs	<b>D. Stretcher Plate</b>  2pcs

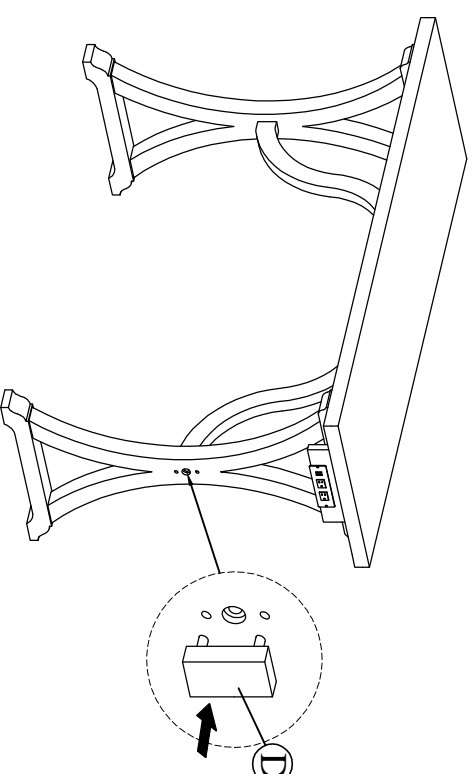
## LIST OF HARDWARE

<b>1. Long Bolt</b>  1/4" x 60mm(4pcs)	<b>2. Short Bolt</b>  1/4" x 50mm(4pcs)
<b>3. Spring Washer</b>  1/4" (8pcs)	<b>4. Flat Washer</b>  1/4" x 16mm(8pcs)
<b>5. Allen key</b>  4mm(1 pc)	

## STEP.1



## COMPLETED

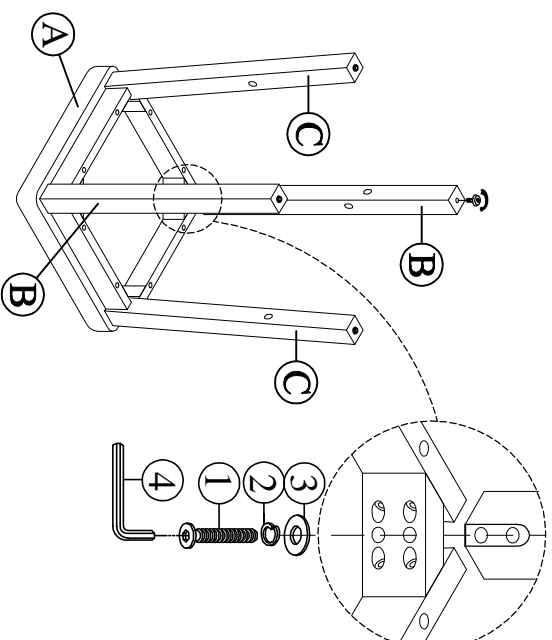


# ASSEMBLY INSTRUCTIONS

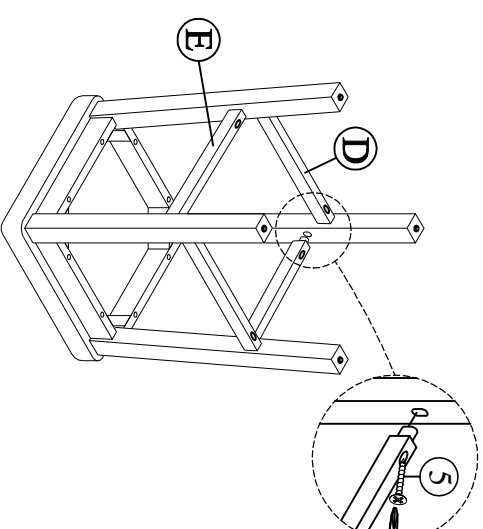
Group Name: Petaluma  
 Description: Stool  
 Item No.: TN-429BSOAK & TN-429BSGREY

PARTS LIST	
<b>A. seat frame with cushion</b>	1 pc
<b>B. Right legs</b>	2 pcs
<b>C. Left legs</b>	2 pcs
<b>D. Long stretcher</b>	2 pcs
<b>E. Short stretcher</b>	2 pcs
HARDWARE LIST	
<b>1. Bolt</b>	<b>2. Spring washer</b>
1/4" x 60mm(8 pc)	1/4" (8 pcs)
<b>3. Flat washer</b>	<b>4. Allen key</b>
1/4" x 19mm(8 pcs)	4mm(1 pc)
<b>5. Screws</b>	
#4 x 38mm(8 pcs)	

## STEP. 1



## STEP. 2



COMPLETED

