
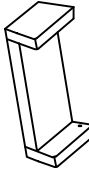

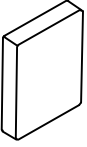


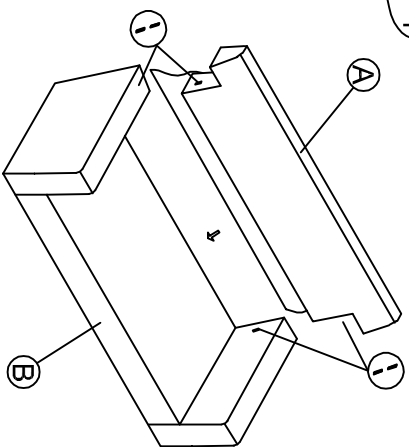


ITEM : 4440-S

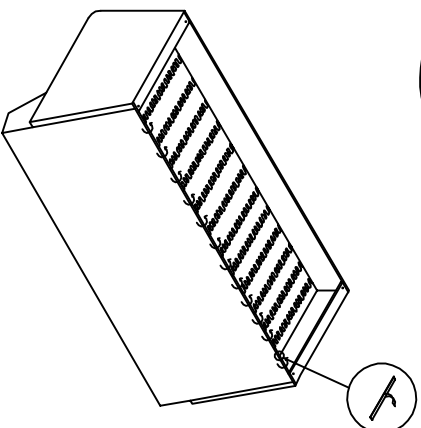
PARTS LIST

NO	DESCRIPTION	PART	QTY
A	BACK		1PC
B	SEAT		1PC
C	BACK PILLOWS		2PCS
D	CUSHIONS		2PCS
E	THROW PILLOWS		2PCS
F	LEG		4PCS

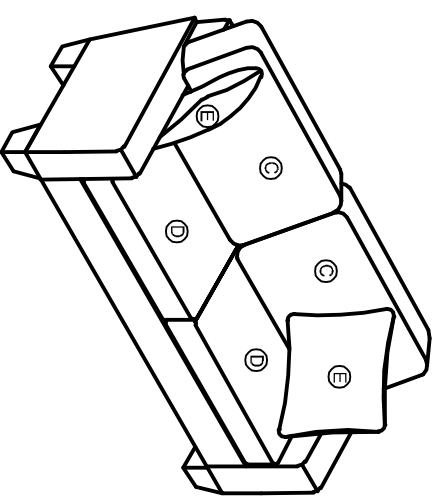
STEP 1



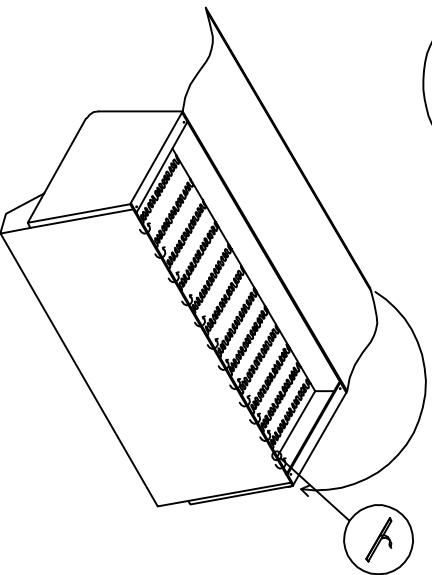
STEP 2



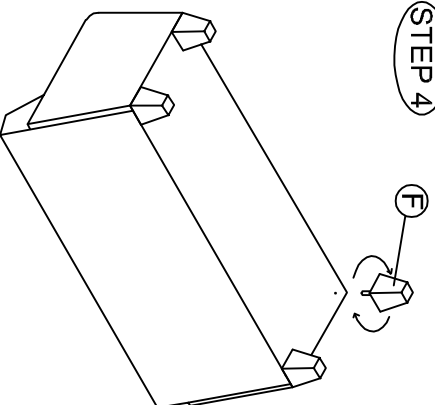
FINISH



STEP 3



STEP 4



Please Check Underneath Seat Deck For Any Parts That May Be Inside