

ASSEMBLY INSTRUCTIONS


ITEM #: S095-DR/ 305-DR
DRESSER

Caution: Please read instructions thoroughly before unpacking assembly parts. Sharp, exposed staple tips can cause injury, therefore, for your protection, please remove any exposed staple used in packing.

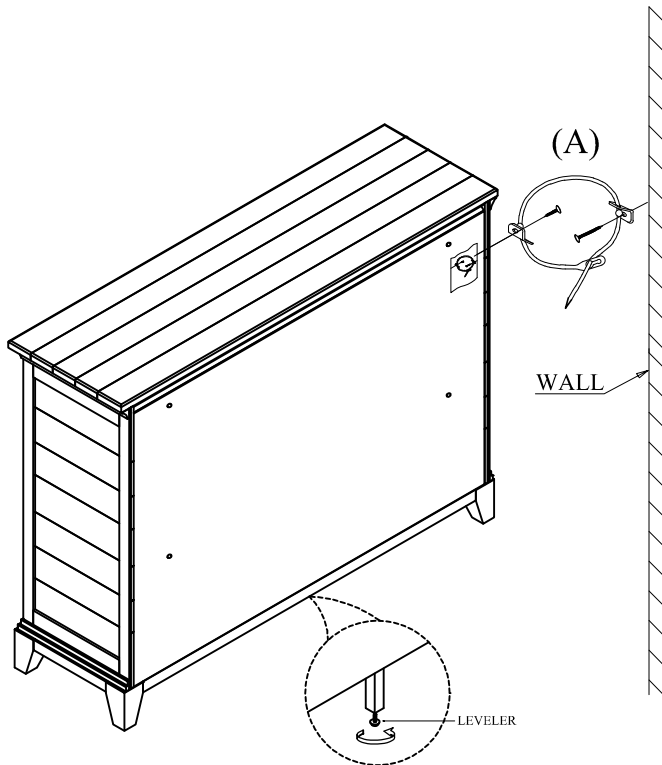
1. We recommend that you should assemble this product with the assistance of another person; this will make assembly easier, and will help to eliminate damage to the product or injury to persons during assembly.
2. Be sure to check all packing materials carefully for small parts that may have come loose inside the carton during shipment.
3. please do not over tighten screws or bolts.
4. Please put all parts on a non-abrasive floor before assembly, and follow the assembly steps to assemble your newly purchased product correctly and efficiently.



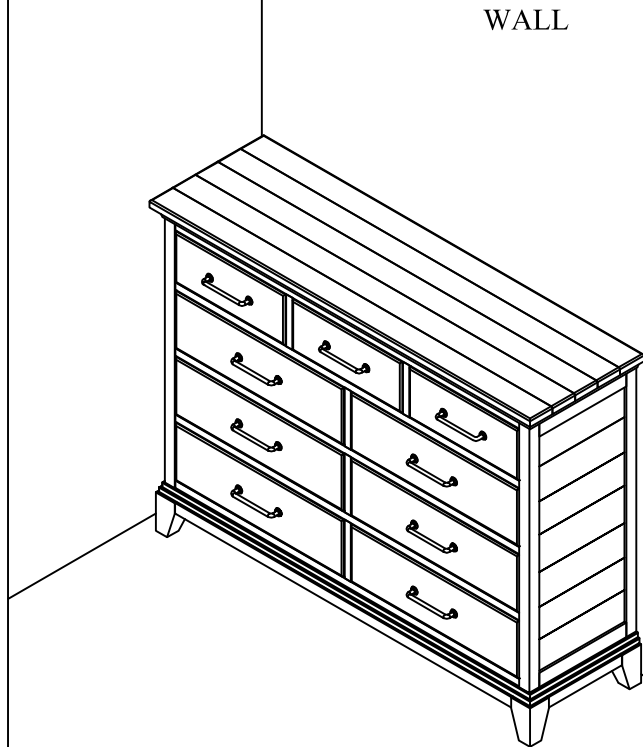
PART LISTS

NO.	DESCRIPTION	SKETCH	Q'TY
(A)	TIPPING RESTRAINT		1SET

STEP 1:



STEP 2:






Completed

MADE IN VIETNAM





ASSEMBLY INSTRUCTIONS

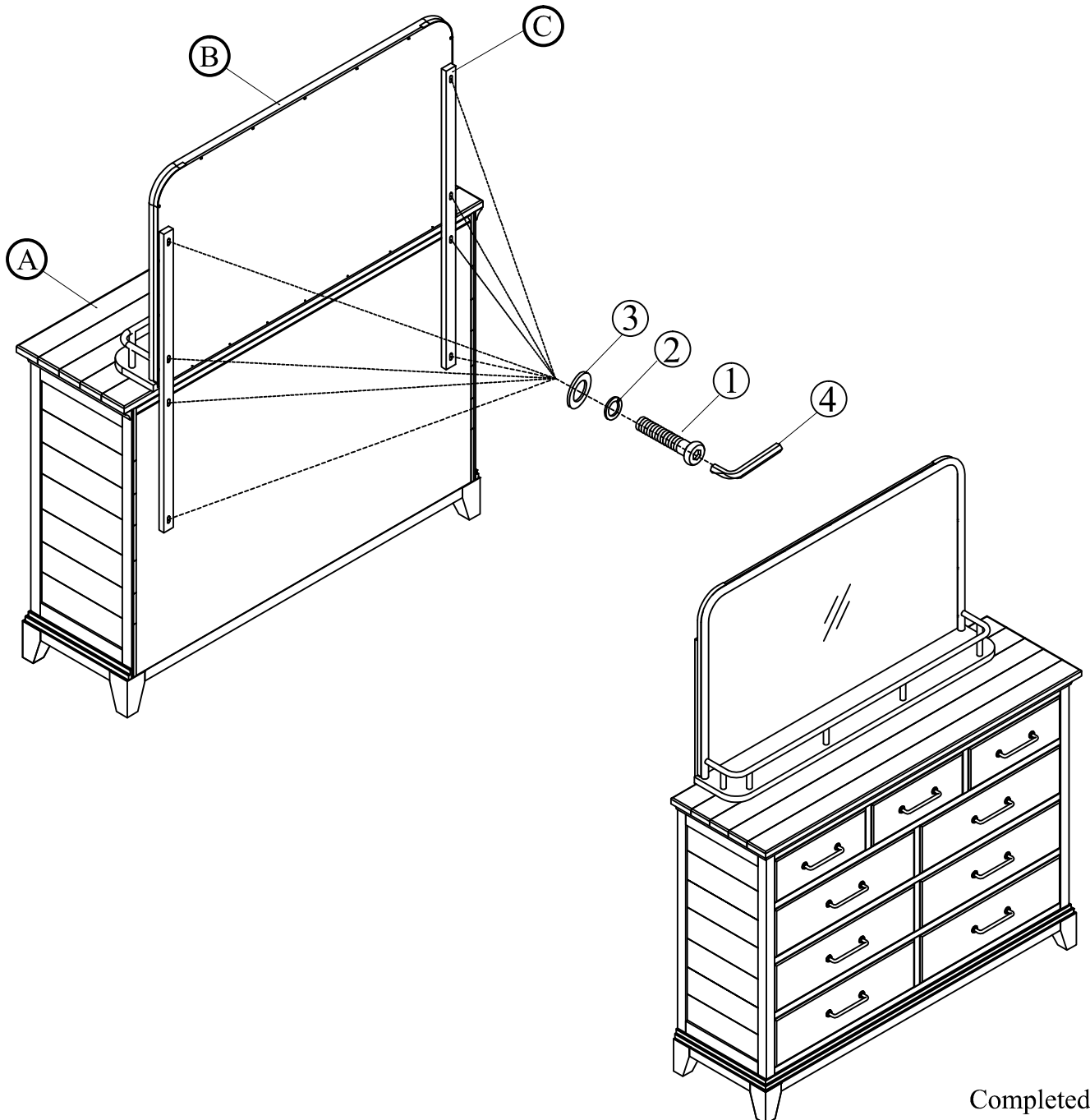
ITEM #: S095-DR/S095-MR; 305-DR/305-MR
DRESSER/MIRROR

PART LISTS LISTA DE PARTES

NO.	DESCRIPTION	SKETCH	Q'TY
(A)	DRESSER		1PC
(B)	MIRROR		1PC
(C)	BACK RAIL		2PCS

HARDWARE LISTS LISTA DE TORNILLO

NO.	DESCRIPTION	SKETCH	Q'TY
(1)	ALLEN BOLT (Ø1/4"*1-1/2")		8PCS
(2)	LOCK WASHER (Ø1/4")		8PCS
(3)	LOCK WASHER (Ø1/4")		8PCS
(4)	ALLEN KEY (4mm)		1PC



Completed