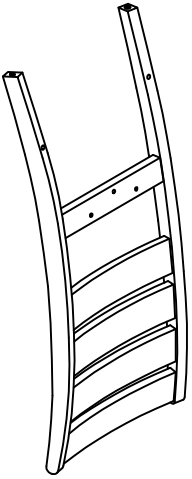
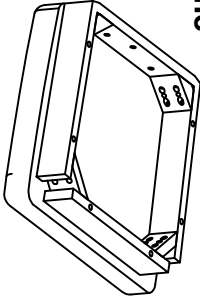
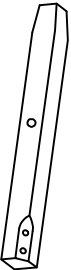
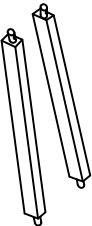
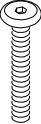
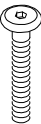
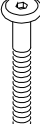


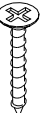
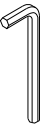


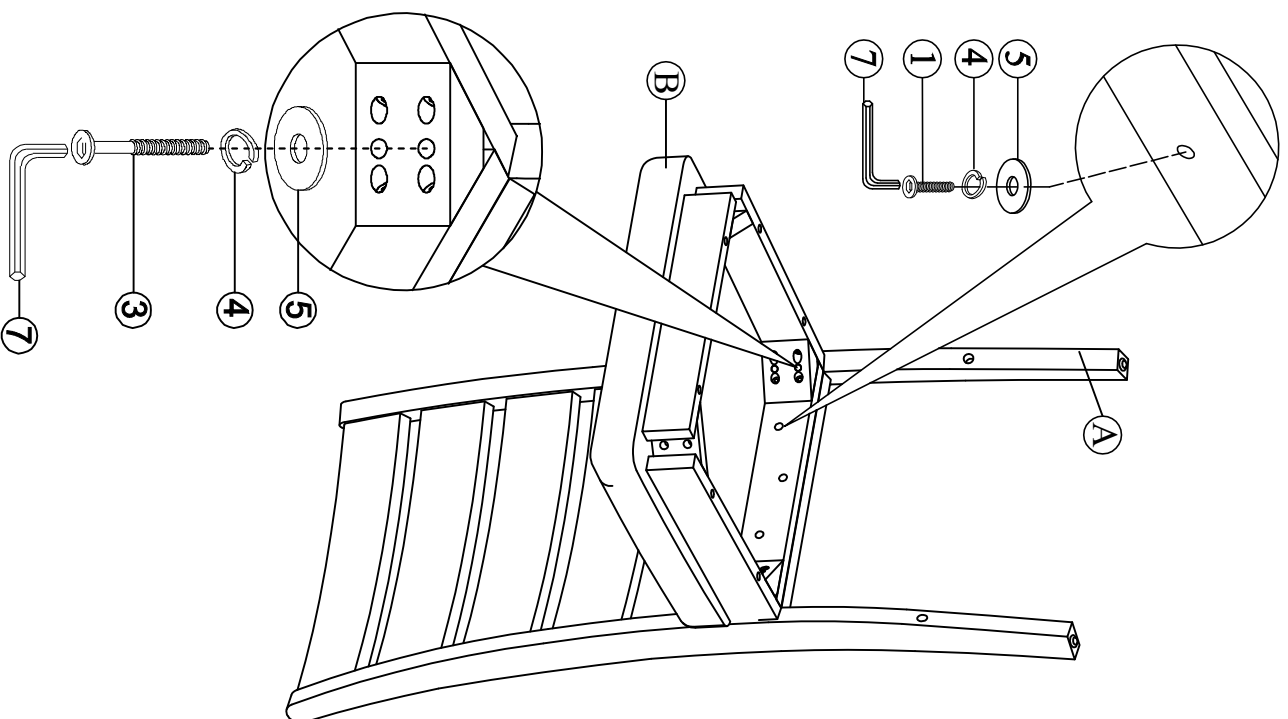
# ASSEMBLY INSTRUCTIONS

Description: PAUL BUNNYAN 2 SIDE CHAIR  
Item No: TN-030-SC

## PARTS LIST

<p><b>(A) Chair back</b></p>  <p>1 pc</p>	<p><b>(B) Seat Frame</b></p>  <p>1 pc</p>
<p><b>(C) Front legs</b></p>  <p>1L; 1R</p>	<p><b>(D) Side stretcher</b></p>  <p>1L; 1R</p>
<p><b>HARDWARE LIST</b></p>	
<p><b>1. Short bolt</b></p>  <p>1/4" x 38mm(3 pc)</p>	<p><b>2. Long bolt</b></p>  <p>1/4" x 60mm(4 pcs)</p>
<p><b>3. Long bolt</b></p>  <p>1/4" x 75mm(4 pcs)</p>	<p><b>4. Spring washer</b></p>  <p>1/4" x 13mm(11 pcs)</p>
<p><b>5. Flat washer</b></p>  <p>1/4" x 19mm(11 pcs)</p>	<p><b>6. Screws</b></p>  <p>#8 x 38mm(4 pcs)</p>
<p><b>7. Allen key</b></p>  <p>4mm(1 pc)</p>	

### Step. 1



### Step. 2

