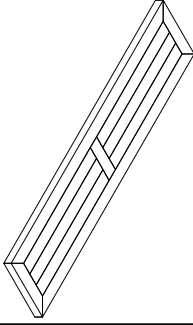
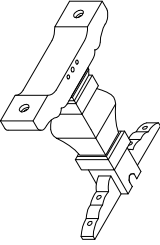
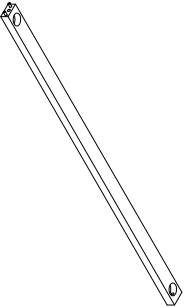
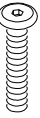
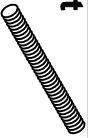





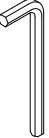


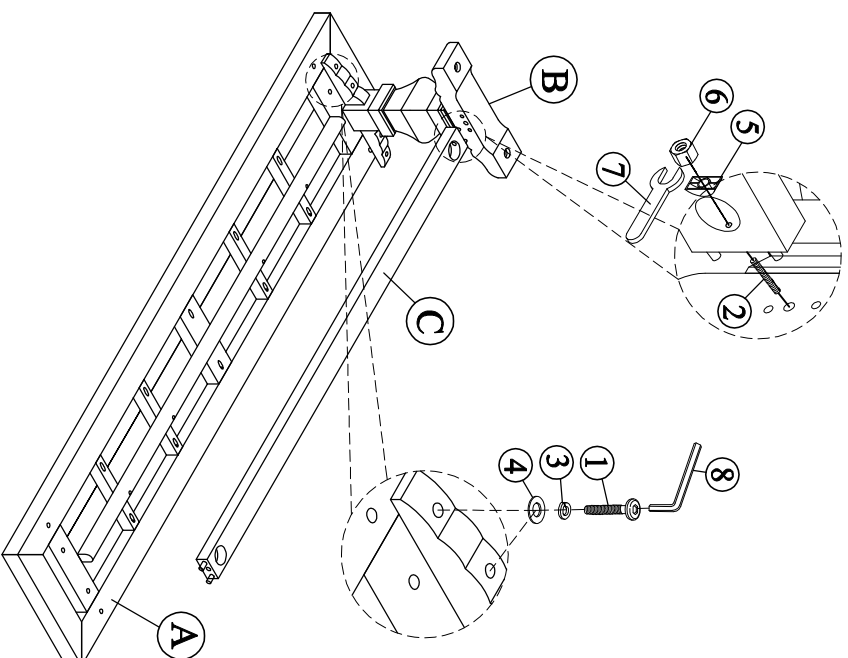
ASSEMBLY INSTRUCTIONS

Group Name: Palisades
 Description: Bench
 Item No: TN-323-B

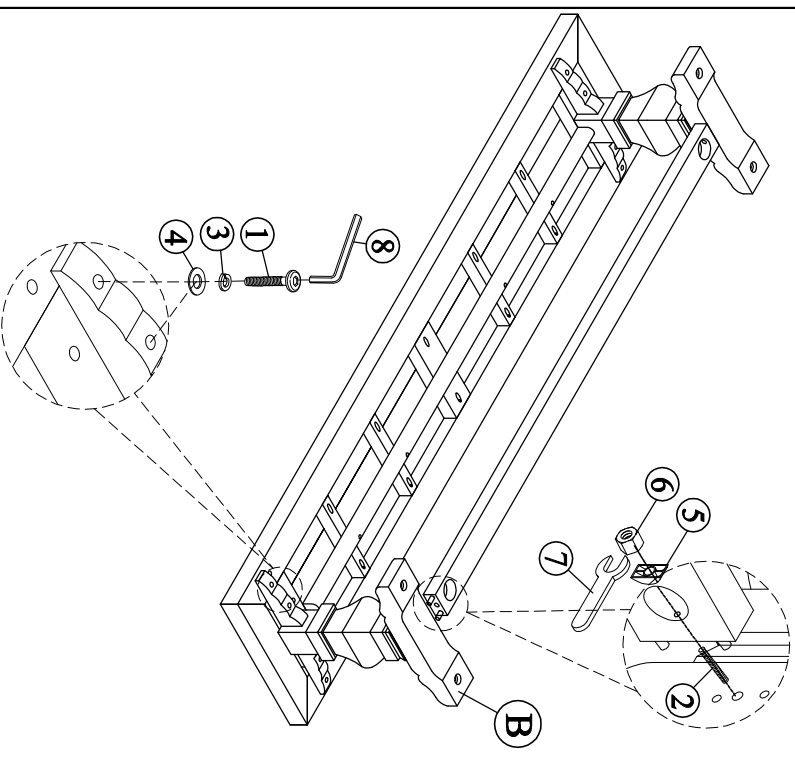
LIST OF PARTS

A. Bench top  1pc	B. Base leg  2pcs
C. Stretcher  1pc	
HARDWARE LIST	
1. Short bolt  5/16" x 40mm(8 pcs)	2. Bolt  5/16" x 83mm(2 pcs)
3. Spring washer  5/16" (8 pcs)	4. Flat washer  5/16" (8 pcs)
5. Half moon washer  (2 pcs)	6. Hex Nut  5/16" (2 pcs)
7. Spanner  (1 pc)	8. Allen key  4mm(1 pc)

Step. 1



Step. 2



Completed

