

ASSEMBLY INSTRUCTIONS

QUEEN STORAGE BED

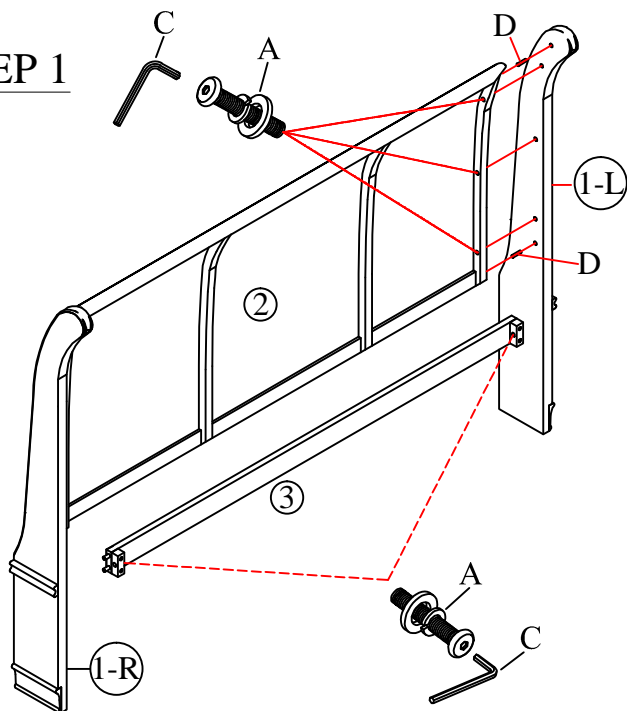
Caution: Please read instructions thoroughly before unpacking assembly parts. Sharp, exposed staple tips can cause injury, therefore, for your protection, please remove any exposed staple used in packing.

1. We recommend that you should assemble this product with the assistance of another person; this will make assembly easier, and will help to eliminate damage to the product or injury to persons during assembly.
2. Be sure to check all packing materials carefully for small parts that may have come loose inside the carton during shipment.
3. please do not over tighten screws or bolts.
4. Please put all parts on a non-abrasive floor before assembly, and follow the assembly steps to assemble your newly purchased product correctly and efficiently.

HARDWARE LISTS			
NO.	OUTLOOK	SIZE	Q'TY
A		JCBC bolt (5/16"*1-3/4"L)	8PCS
		Lock washer 5/16"	8PCS
		Flat washer 5/16"x19mm*1mm	8PCS
B		JCBC bolt (1/4"*1-1/2"L)	4PCS
		Flat washer 1/4"x19mm*1mm	4PCS
C		Allen key (4mm)	1PC
D		Wooden Dowel	4PCS
E		Wooden Screw Ø8xØ4x1-1/4"	30PCS
F		Bolt 5/16"x3-1/2"	8PCS
G		Locking Hardware 5/16"	8PCS
H		Bolt Screw 5/16"	8PCS
I		Bolt Screw wrench 5/16"	1PC

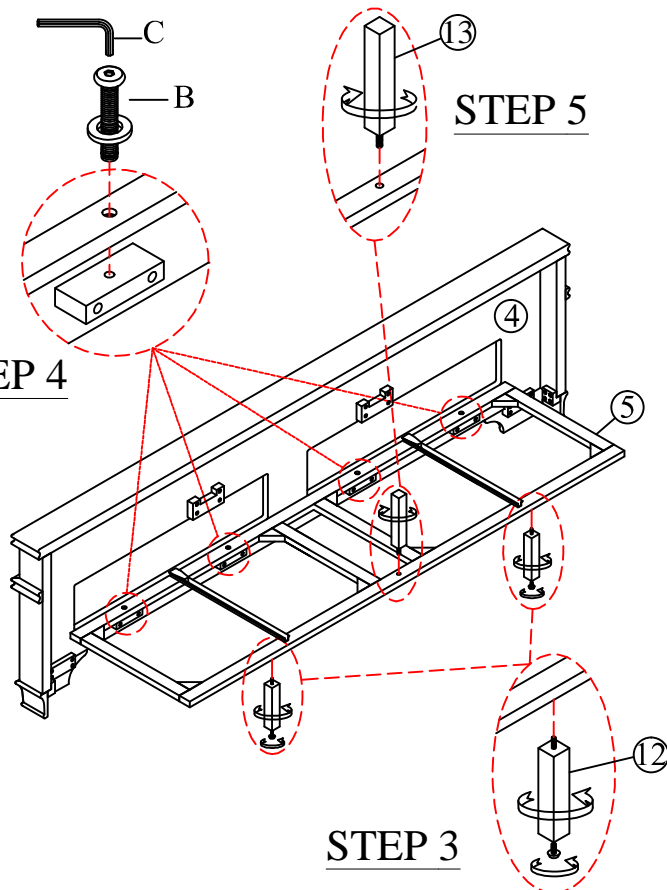
PART LISTS			
NO.	Description	Sketch	Q'TY
①	Headboard Legs (L&R)		2PCS
②	Headboard Panel		1PC
③	Headboard Bottom Rail		1PC
④	Footboard		1PC
⑤	Bottom Frame for drawer of Footboard		1PC
⑥	Side rail (L&R)		2PCS
⑦	Center Slat		2PCS
⑧	Slat		1PC
⑨	Drawer for Side rail		4PCS
⑩	Drawer for Footboard		2PCS
⑪	Support Legs for slat		3PCS
⑫	Support Legs for Footboard		2PCS
⑬	Support Legs for Footboard		1PC
⑭	Slats		1SET (13PCS)

STEP 1



STEP 2

STEP 4



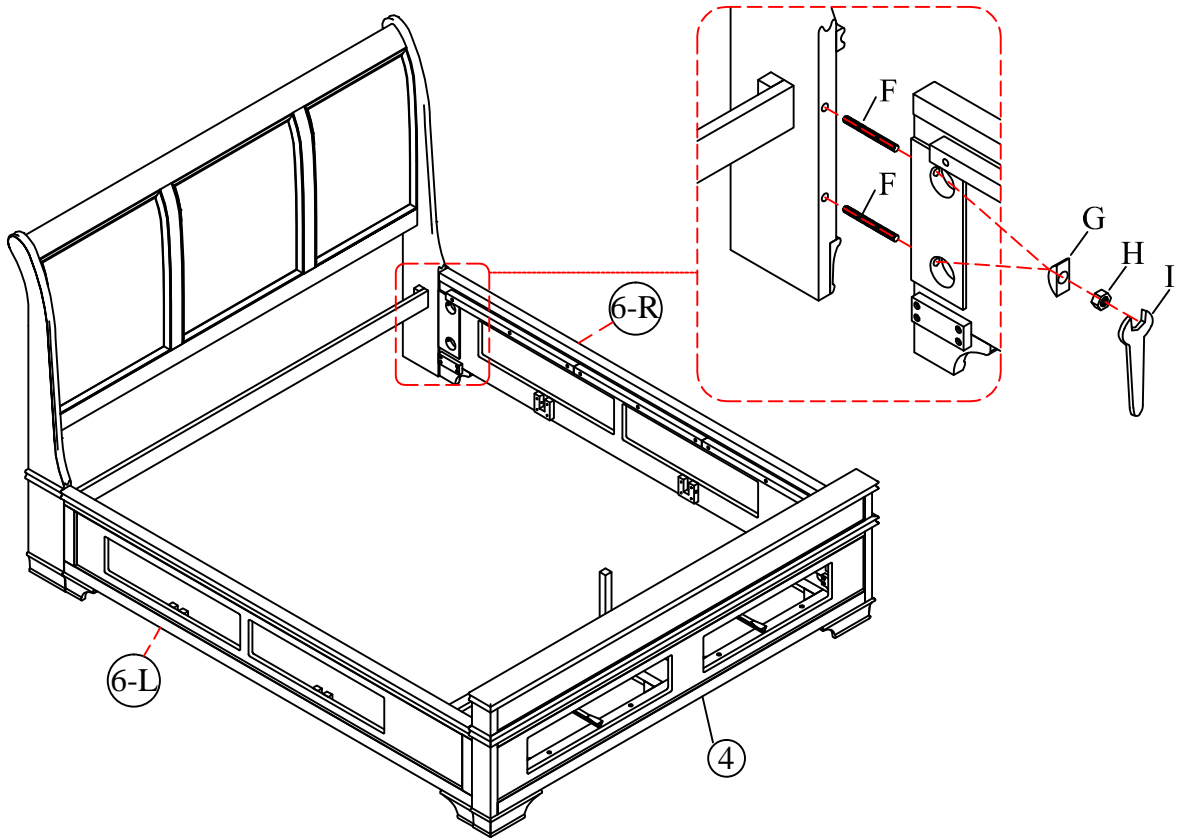
STEP 5

STEP 3

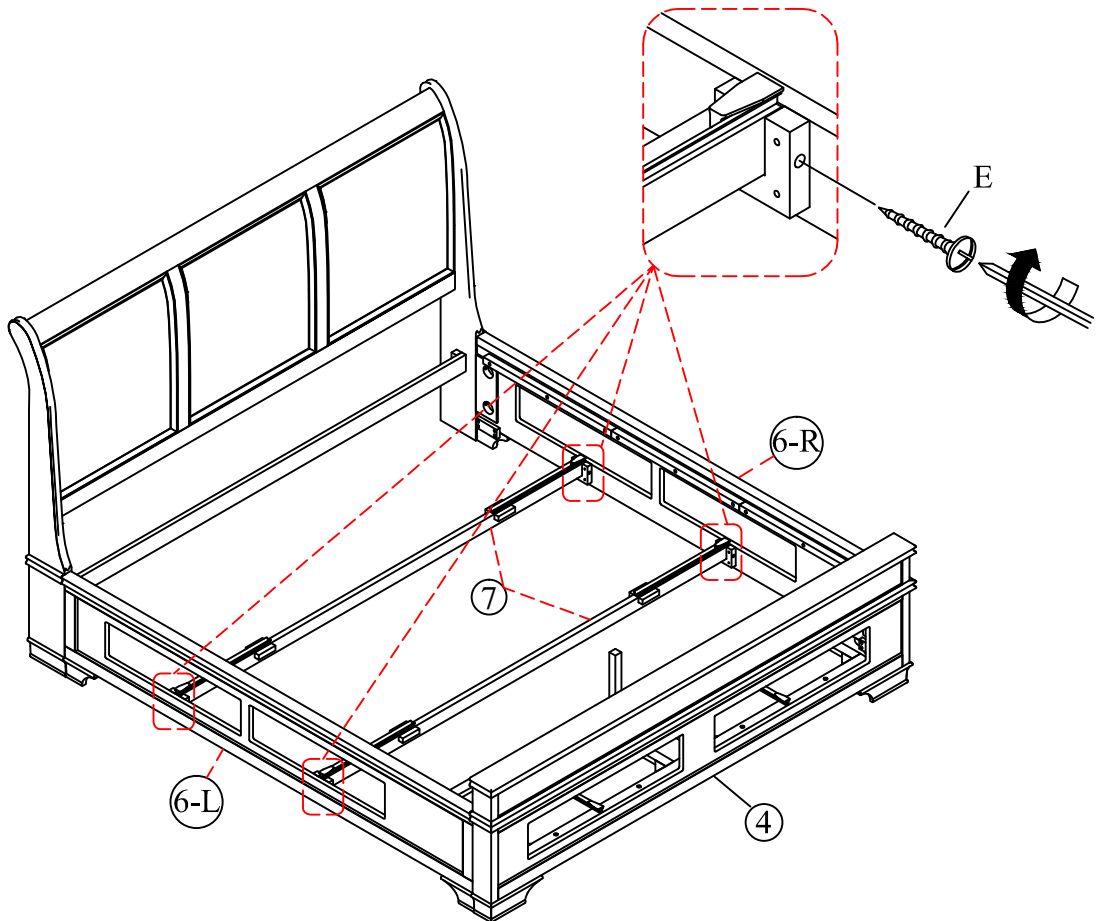
ASSEMBLY INSTRUCTIONS

QUEEN STORAGE BED

STEP 6



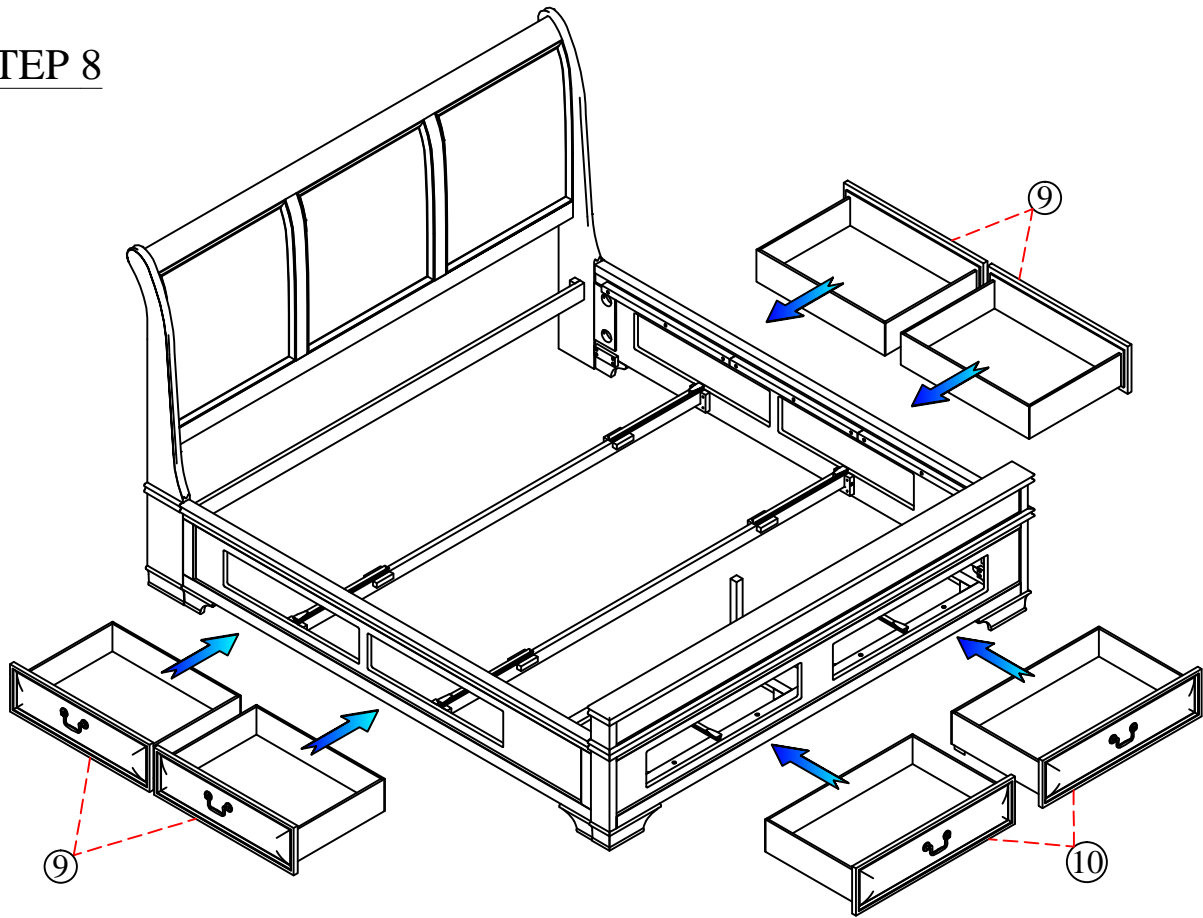
STEP 7



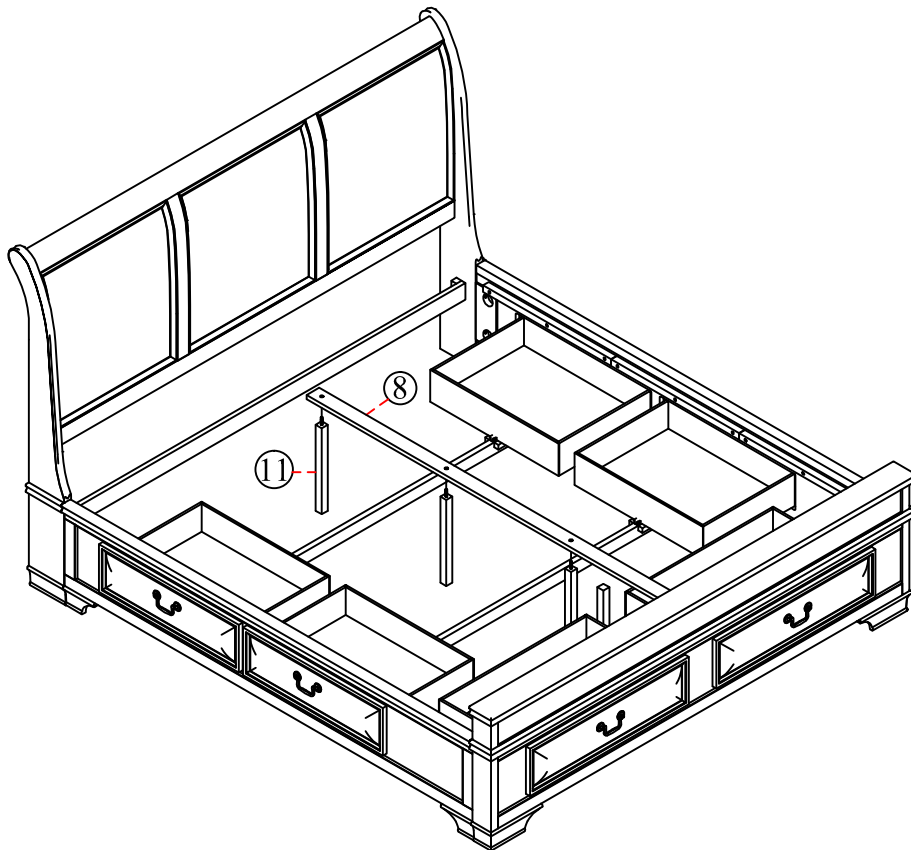
ASSEMBLY INSTRUCTIONS

QUEEN STORAGE BED

STEP 8



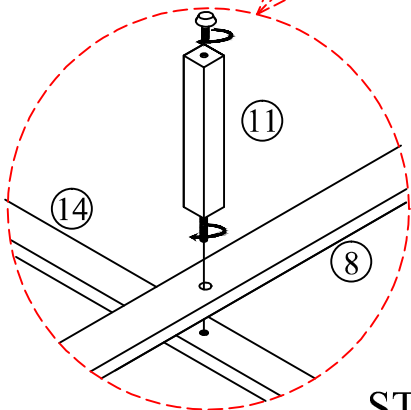
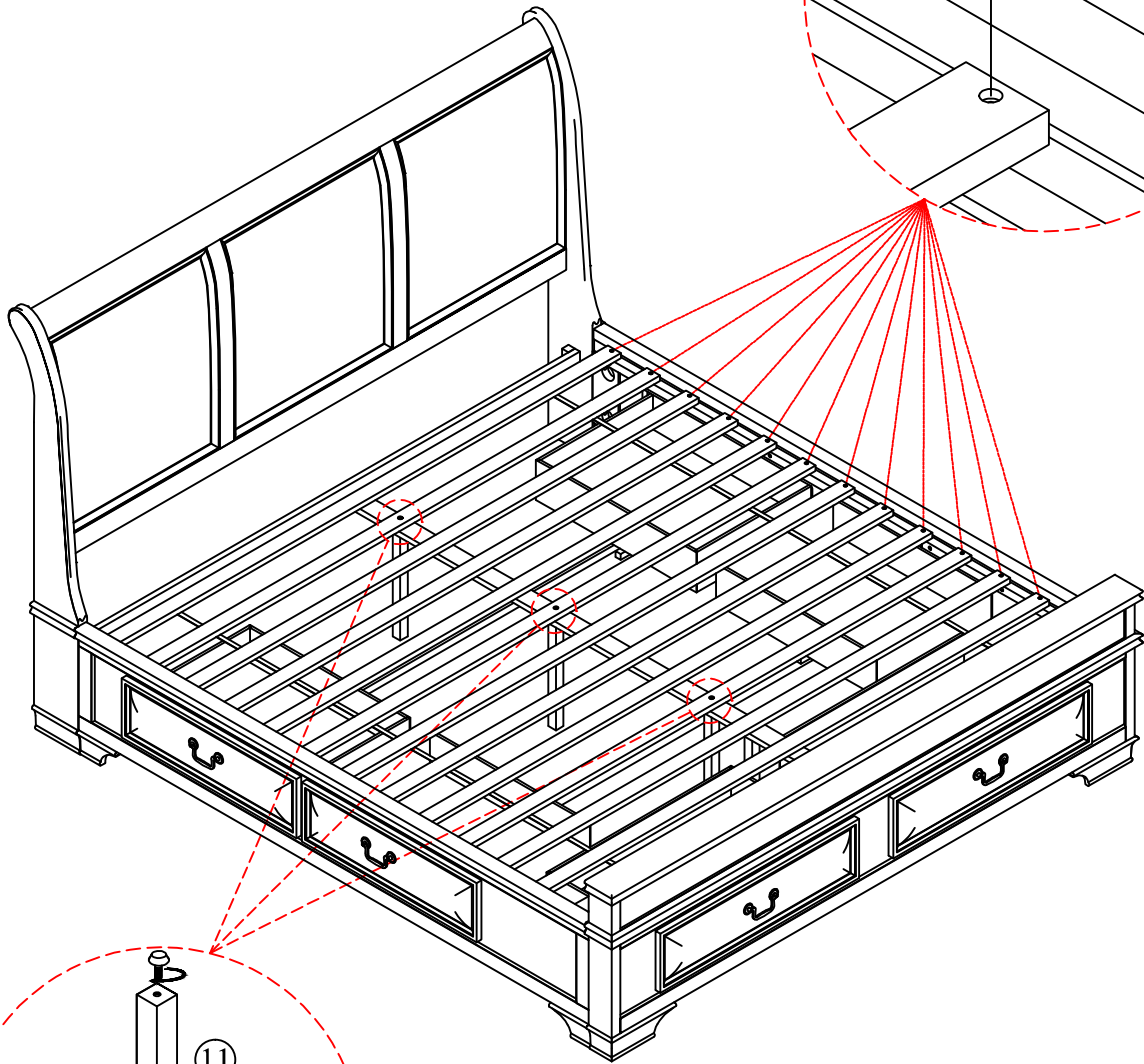
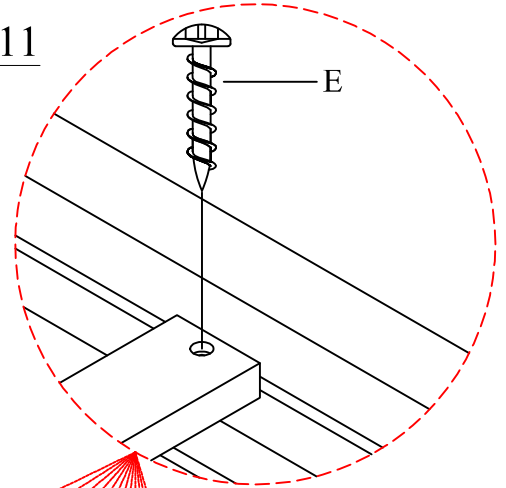
STEP 9



ASSEMBLY INSTRUCTIONS

QUEEN STORAGE BED

STEP 11



STEP 10