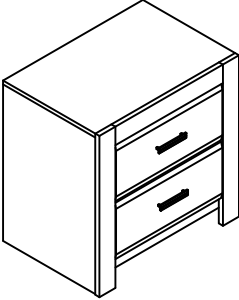
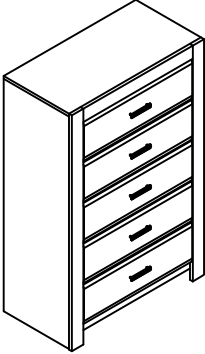


### PARTS IDENTIFICATION

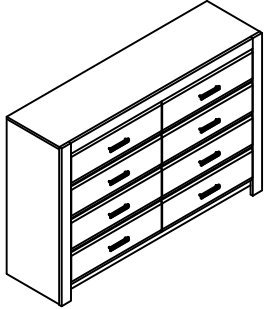
Night Stand



Chest

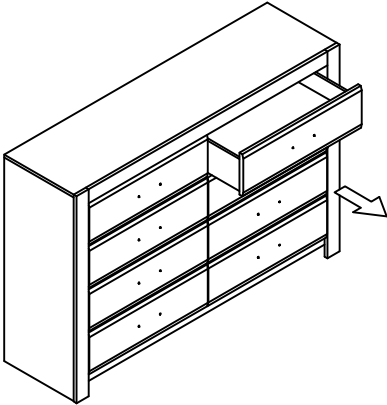


Dresser

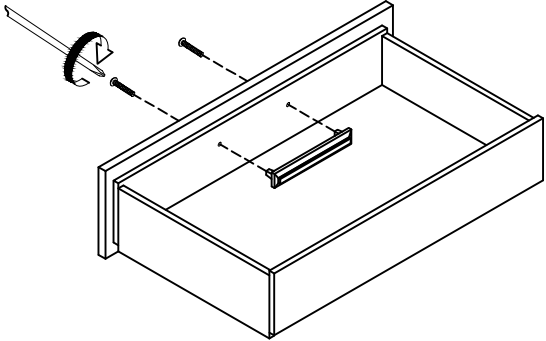


**NOTE : YOU WILL ALSO NEED A PHILIP SCREW DRIVER (not provided)**

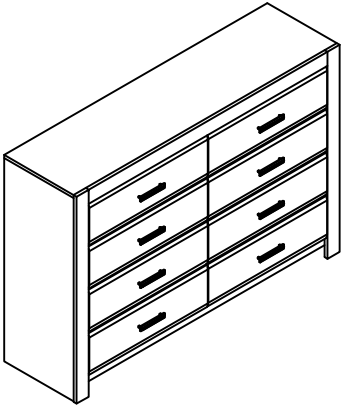
**STEP 1:**  
Pull out the drawer of case good.



**STEP 2:**  
Use screwdriver to remove the screw & handle.



**STEP 4:**  
Repeat the same procedure to the other drawer.



**STEP 3:**  
Position the handle in front of drawer panel and screw it tightly with the same screw.

