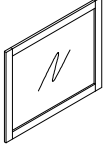
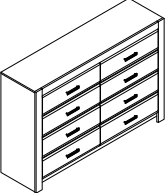
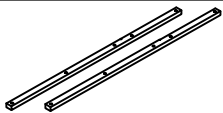
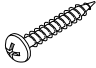
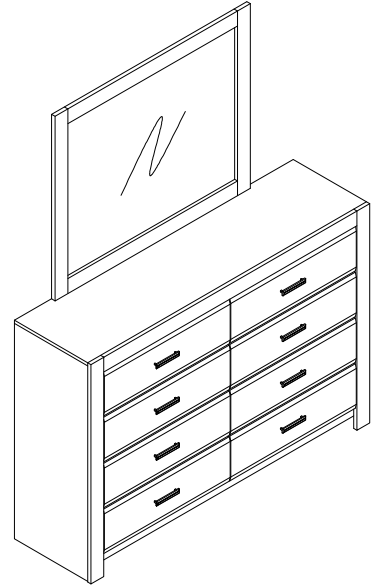
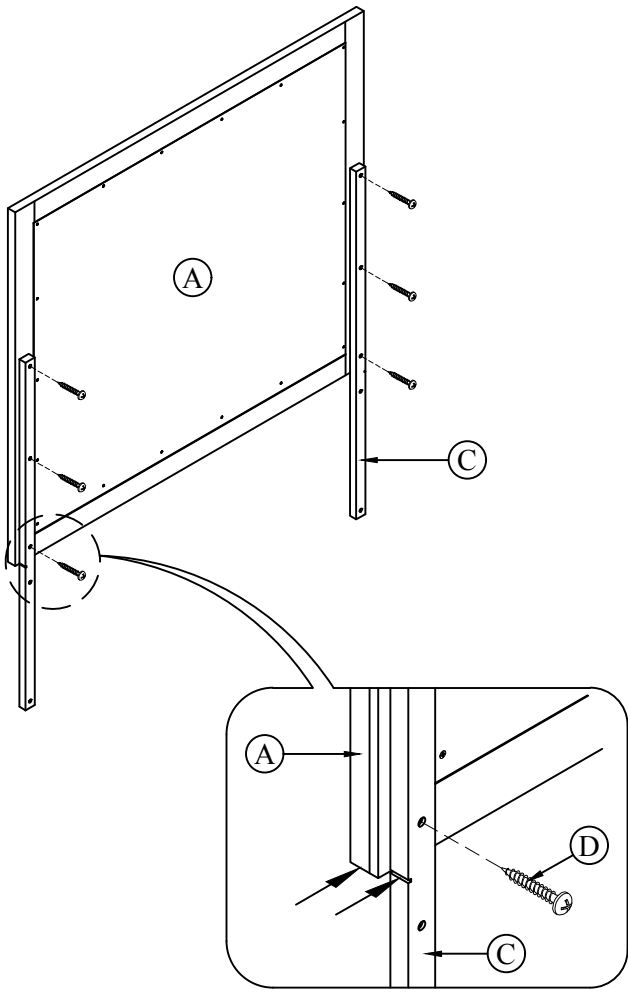


NOTE : YOU WILL ALSO NEED A PHILIP SCREW DRIVER (NOT PROVIDED)

NO		PARTS LIST	
A		Mirror	1
B		Dresser	1
C		Mirror Support Rail	2
NO		HARDWARE LIST	
D		Screw	10

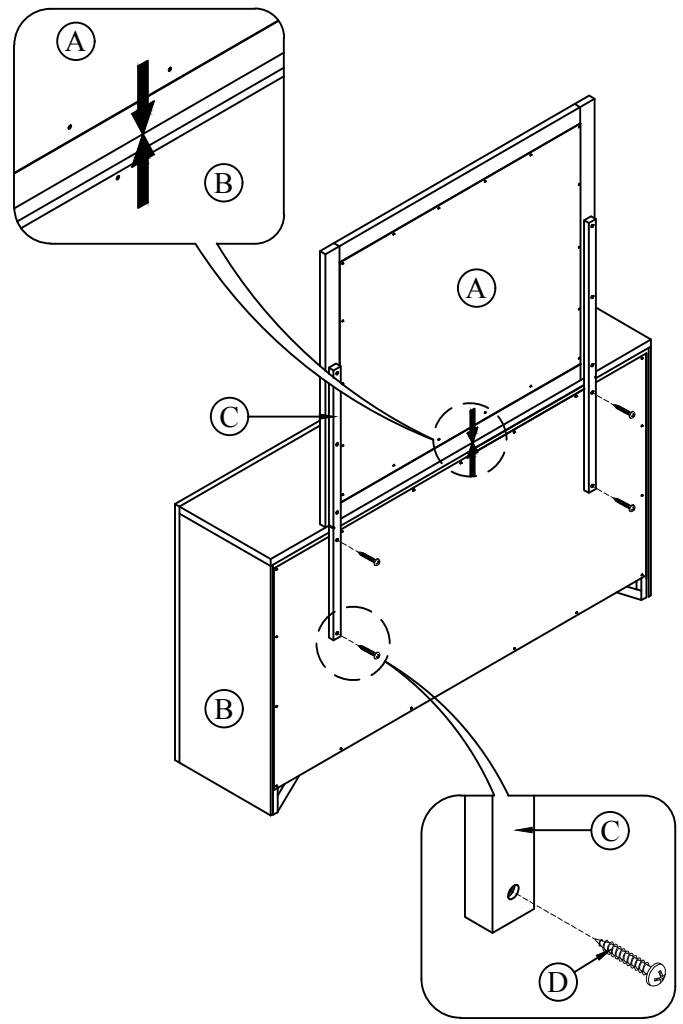


**STEP 1**



STEP 1

**STEP 2**



STEP 2