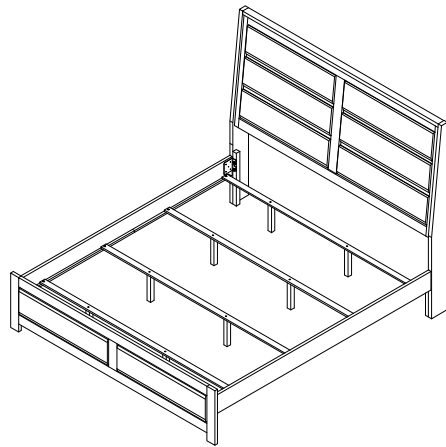
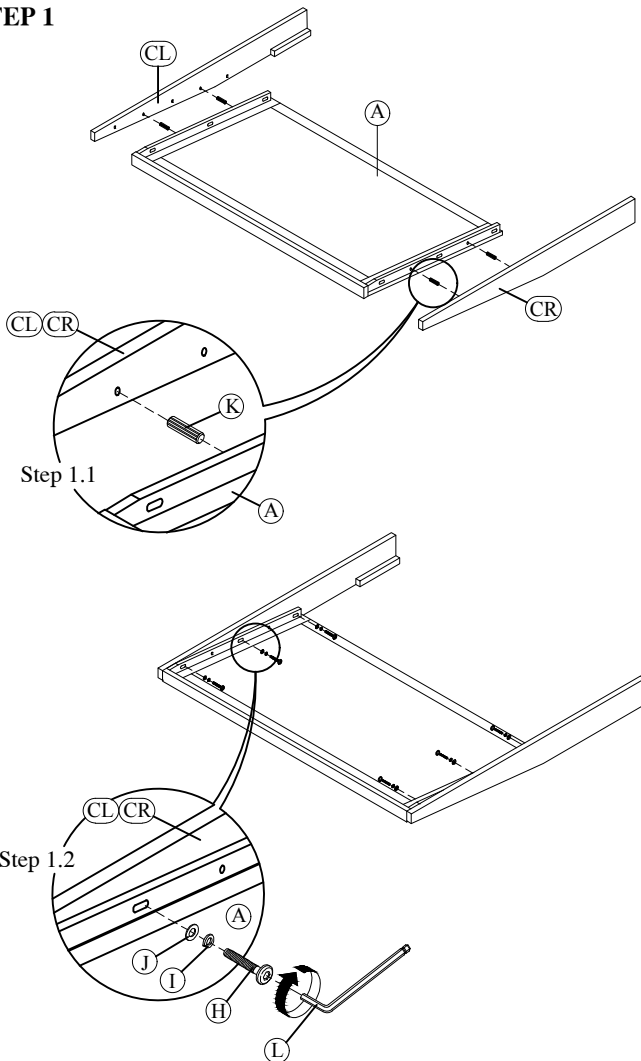


NOTE : YOU WILL ALSO NEED A PHILIP SCREW DRIVER (NOT PROVIDED)

PARTS LIST				HARDWARE LIST			
NO				NO			
A		Headboard	1	G		Screw	8
B		Footboard	1	H		Bolt 35mm	6
CL		Headboard L Leg	1	I		Spring Washer	6
CR		Headboard R Leg	1	J		Flat Washer Ø1/4" x 20mm	6
D		Side Rail	2	K		Wood Dowel	4
E		Slat	4	L		Allen Key M4 x 110mm	1
F		Support Leg	8	M		Allen Key M5	1



### STEP 1



### STEP 2

