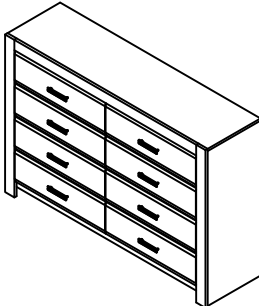






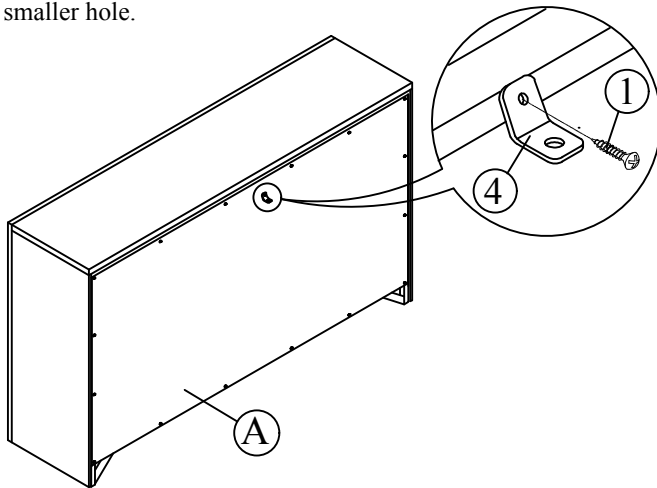
**NOTE : YOU WILL ALSO NEED A PHILIP SCREW DRIVER (NOT PROVIDED)**

PARTS IDENTIFICATION		HARDWARE IDENTIFICATION			
A. DRESSER		1 SET	1.	 16mm Screw	1 Pc
			2.	 50mm Screw	1 Pc
			3.	 Tie Strap	1 Pc
			4.	 L - Bracket	2 Pcs

This tip restraint must be attached to a wall stud using 50mm screw enclosed.

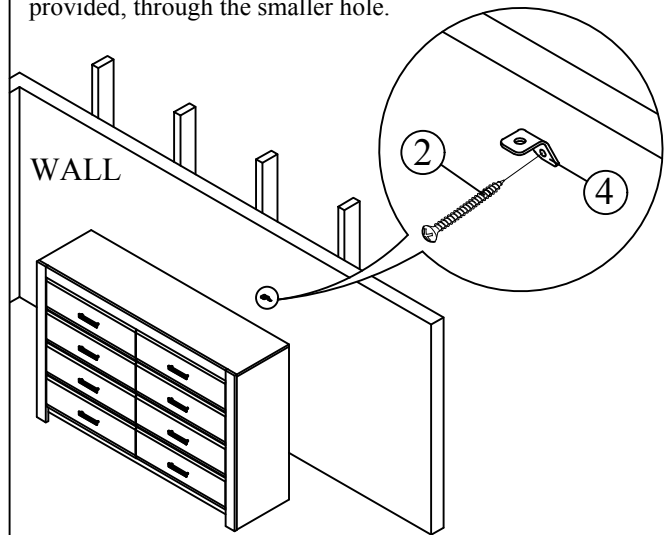
#### STEP 1

Attach the bracket securely to the back top rail of the casegoods using 16mm screw provided, through the smaller hole.



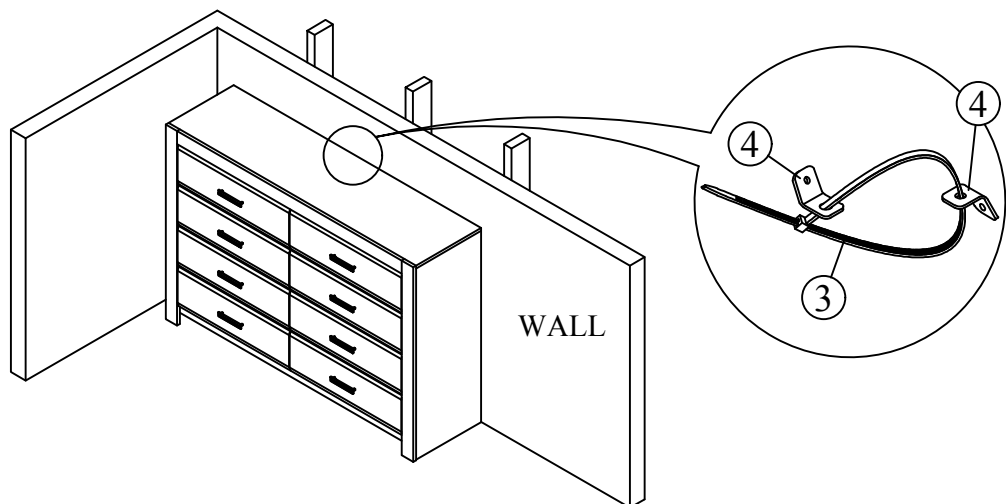
#### STEP 2

Locate the other bracket on the wall over a wall stud and two inches below the mounting bracket secured to the back of casegoods. Attached to the wall stud using the 50mm screw provided, through the smaller hole.



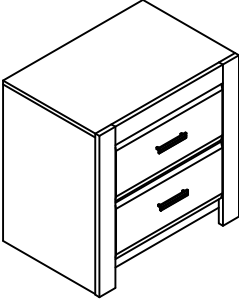
#### STEP 3

Place the casegoods into position so both mounting brackets are vertically in line. Pull the end of the restraint strap through the larger hole in each mounting bracket. Bring both ends together and slide the flat end through the locking end and draw it through until all slack is removed. Check that the strap is securely laced and locked.

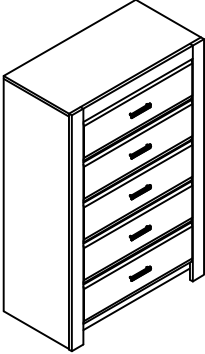


### PARTS IDENTIFICATION

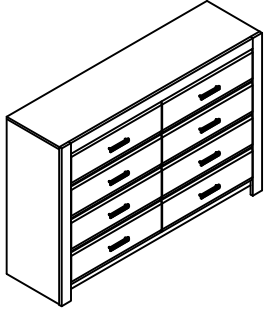
Night Stand



Chest

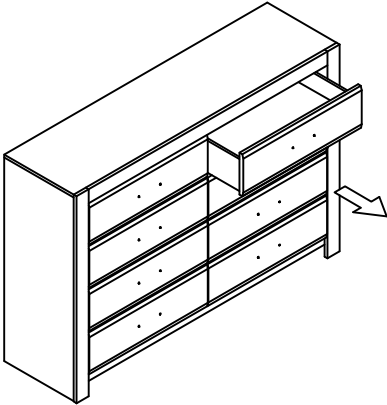


Dresser

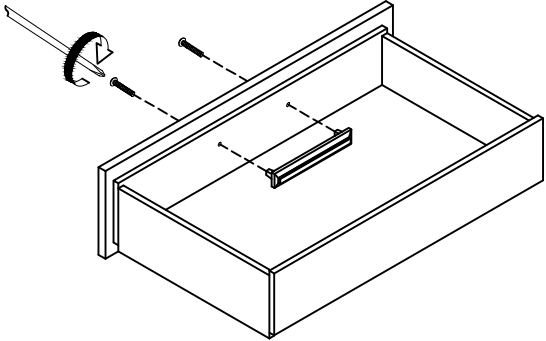


**NOTE : YOU WILL ALSO NEED A PHILIP SCREW DRIVER (not provided)**

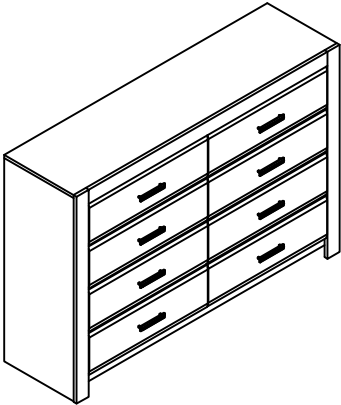
**STEP 1:**  
Pull out the drawer of case good.



**STEP 2:**  
Use screwdriver to remove the screw & handle.



**STEP 4:**  
Repeat the same procedure to the other drawer.



**STEP 3:**  
Position the handle in front of drawer panel and screw it tightly with the same screw.

