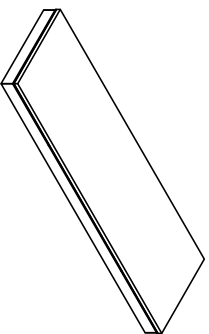


# ASSEMBLY INSTRUCTIONS

Group name: NAPA  
 Description: Counter Bench  
 Item No: TN-252-CXLB

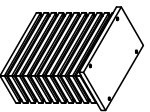
## LIST OF PARTS

(A) Bench top



1pc

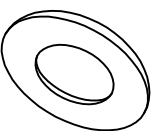
(B) Legs



2pcs

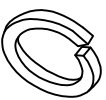
## LIST OF HARDWARE

1. Flat Washer



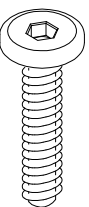
5/16" (8pcs)

2. Spring Washer



5/16" (8pcs)

3. Bolt



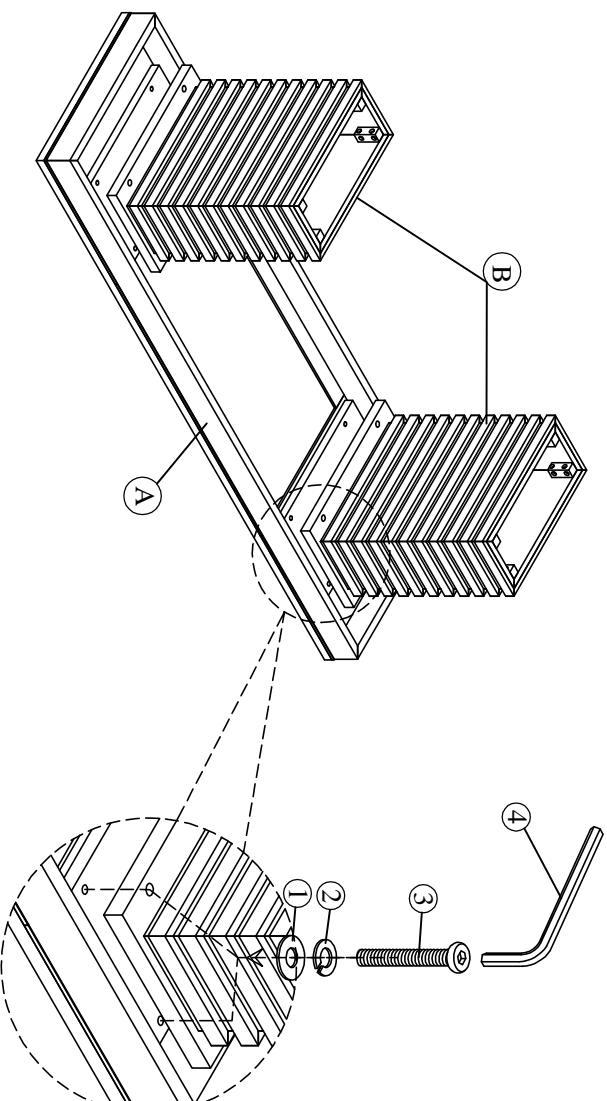
5/16" x 40mm(8pcs)

4. Allen key



4mm(1 pc)

Step. 1



Complete

