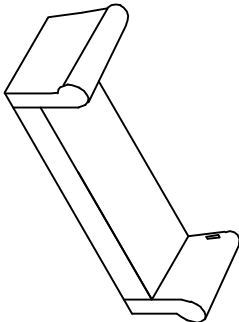
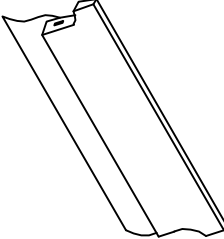
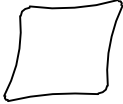
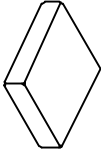



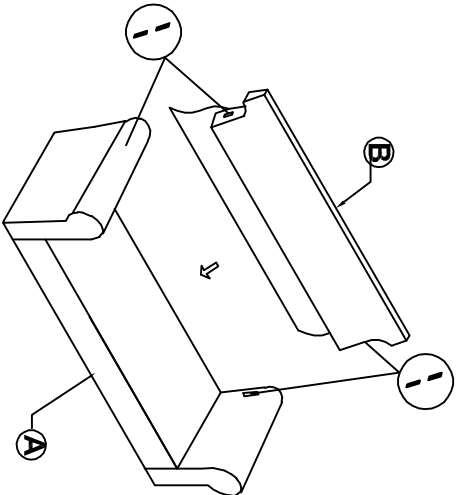


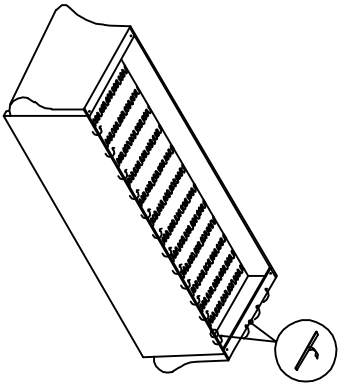
**ITEM : 4160-S**  
PARTS LIST

NO	DESCRIPTION	PART	QTY
A	SEAT		1pc
B	BACK		1pc
C	THROW PILLOWS		4pcs
D	LEFT,RIGHT, CENTER CUSHIONS		3pcs
E	BACK PILLOWS		2pcs
F	BACK PILLOW		1pc
G	LEGS		4pcs

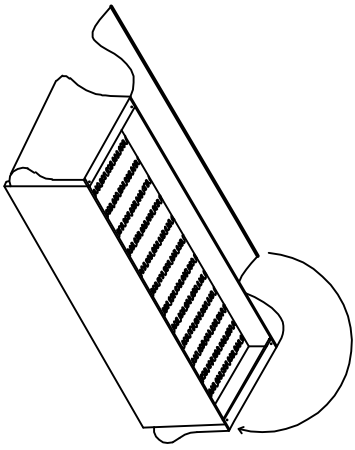
STEP 1



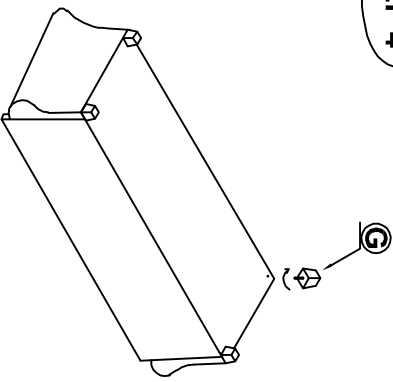
STEP 2



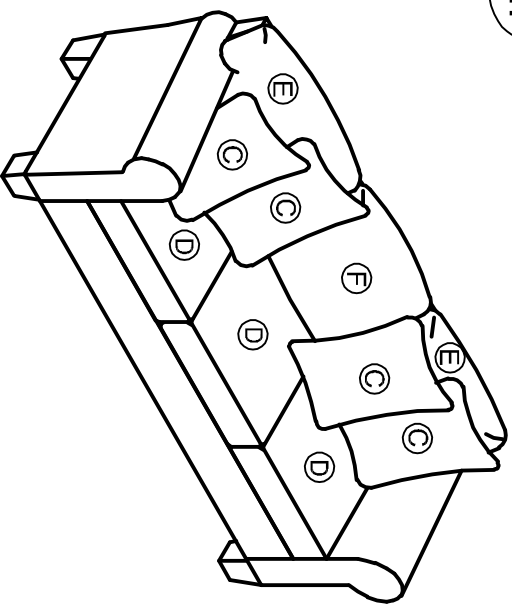
STEP 3



STEP 4



FINISH



**Please Check Underneath Seat Deck For Any Parts That May Be Inside**