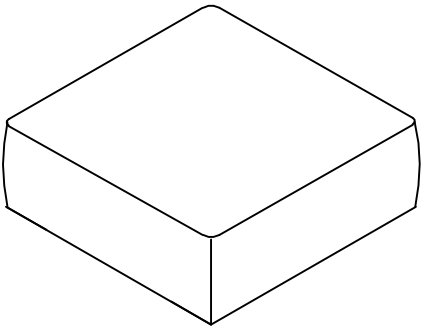



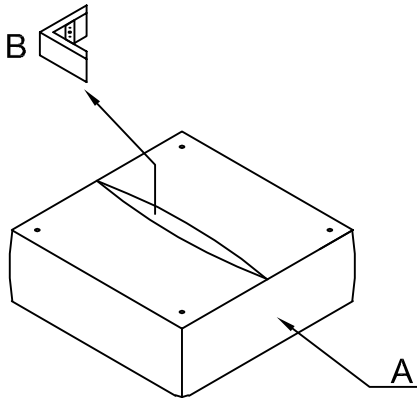


# ITEM : 4160-O

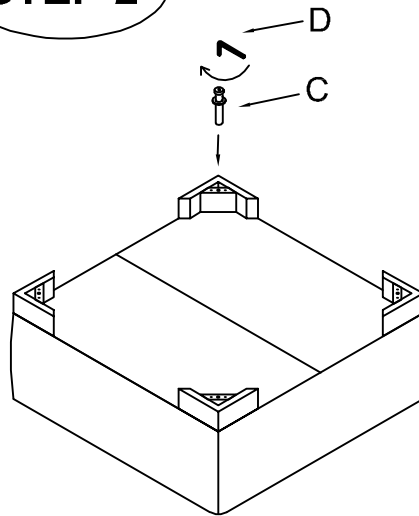
## PARTS LIST

NO	DESCRIPTION	PART	QTY
A	OTTOMAN		1pc
B	LEGS		4pcs
C	BOLTS		4pcs
D	ALLEN KEY		1pc

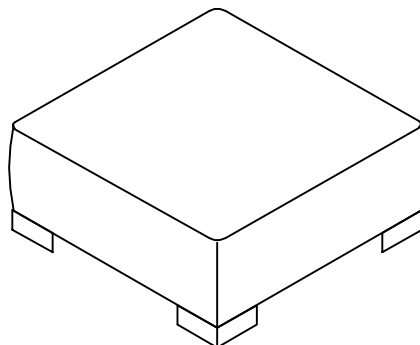
### STEP 1



### STEP 2



### FINISH



**LEGS INSIDE SEAT DECK**