

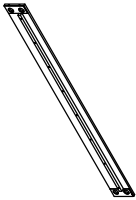
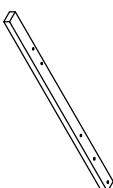
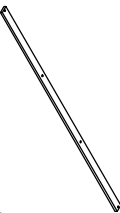
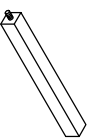






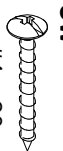


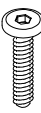

ASSEMBLY INSTRUCTIONS

Group Name: Monroe II
 Description: King Bed
 Item No: B025-KHB & B025-KFB & B025-Q/KSR

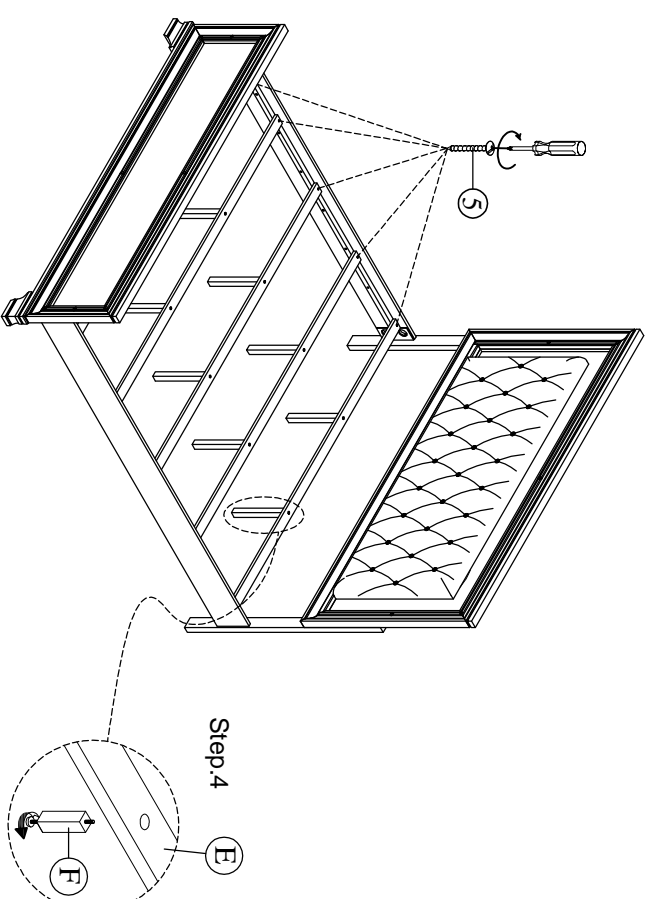
LIST OF PARTS

A. Headboard  1 pc	B. Footboard  1 pc
C. Side rail  2 pcs	D. Headboard leg  1L, 1R
E. Slats  5 pcs	F. Support with leveler  10 pcs

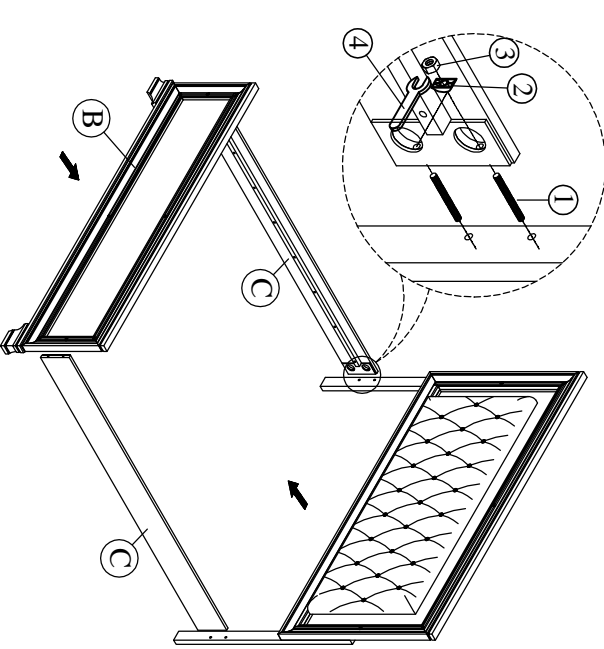
LIST OF HARDWARE

1. Bolts  5/16" x 83mm(8 pcs)	2. Washer  5/16" (8 pcs)
3. Nut  5/16" (8 pcs)	4. Spanner  5/16" (1 pc)
5. Screw  #4 x 30mm(10 pcs)	6. Washer  5/16" (6 pcs)
7. Spring washer  5/16" (6 pcs)	8. Bolts  5/16" x 55mm(6 pcs)
9. Allen key  4mm(1 pc)	

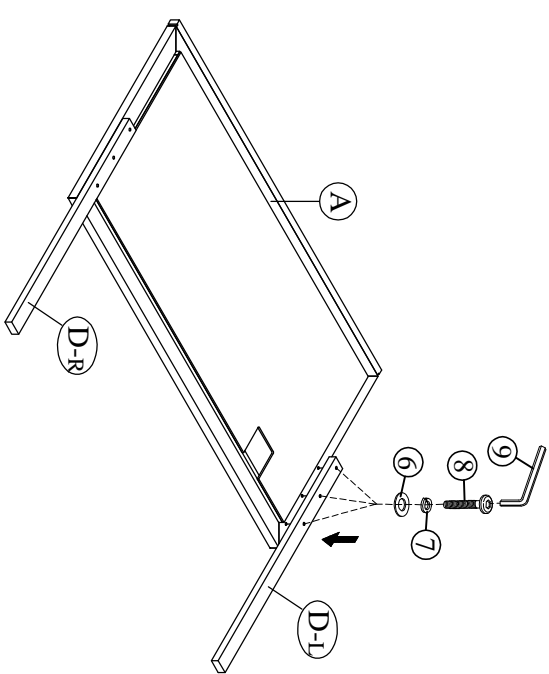
Step.3



Step.2



Step.1



Step.4

