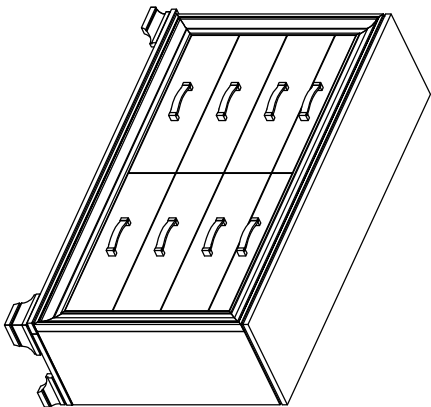


ASSEMBLY INSTRUCTIONS

Group Name: Monroe II
Description: Dresser
Item No: B025-DR

LIST OF PARTS

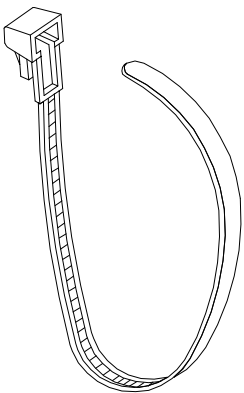
A. Dresser



1 pc

LIST OF HARDWARE

1. Anti - tip restraint



1 Set

Step. 1

