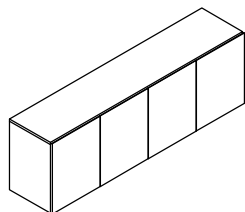


ASSEMBLY INSTRUCTIONS

Group Name: Mika
 Description: Sideboard
 Item No: TN-459-SB

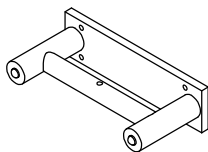
LIST OF PARTS

A. Sideboard



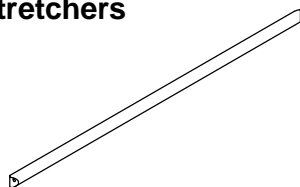
1pc

B. Legs



2pcs

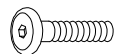
D. Center Stretchers



1pc

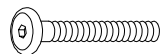
HARDWARE LIST

1. Short Bolt



5/16" x 35mm(8 pcs)

2. Long Bolt



5/16" x 55mm(2 pcs)

3. Spring washer



5/16" (10 pcs)

4. Flat washer



5/16" (10 pcs)

5. Allen key



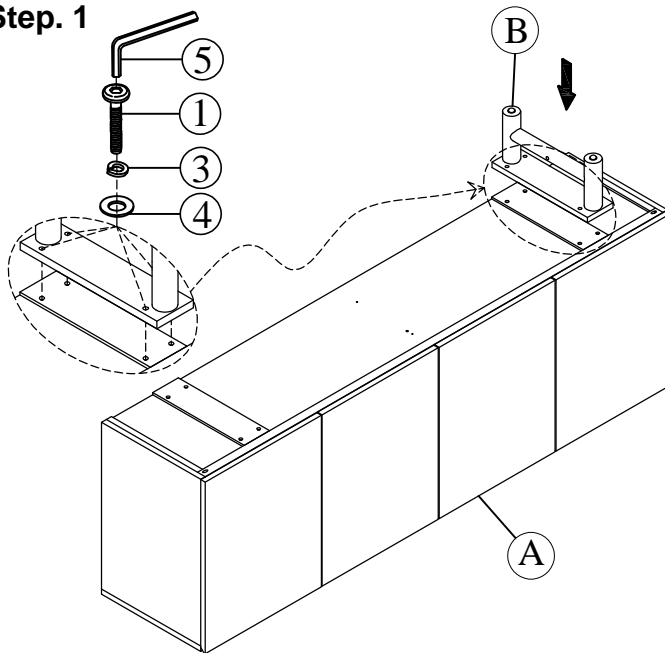
4mm(1 pc)

6. Tipping Restraint

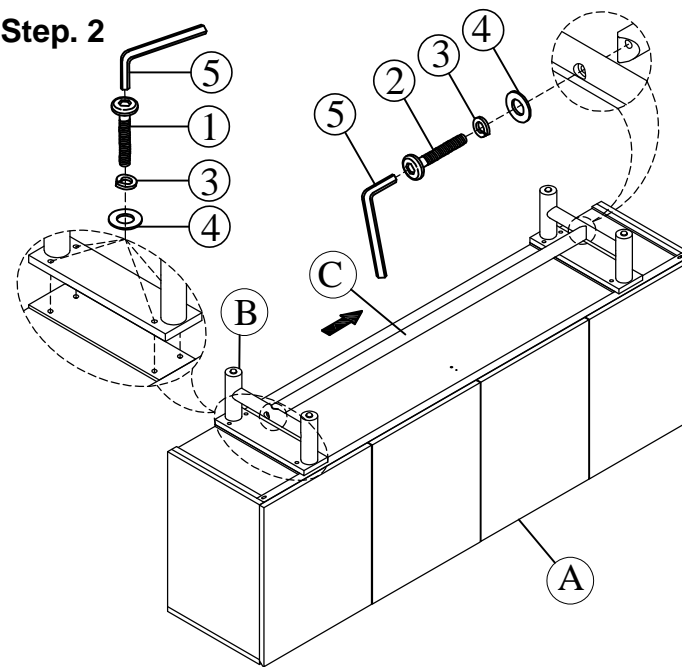


(1 set)

Step. 1



Step. 2



Completed

