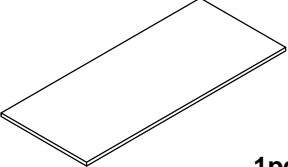
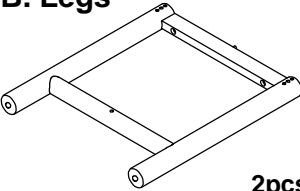
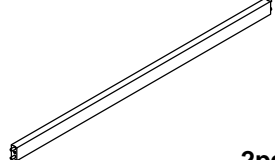
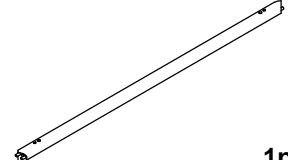
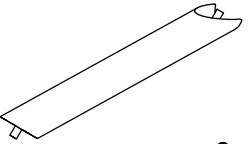
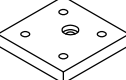


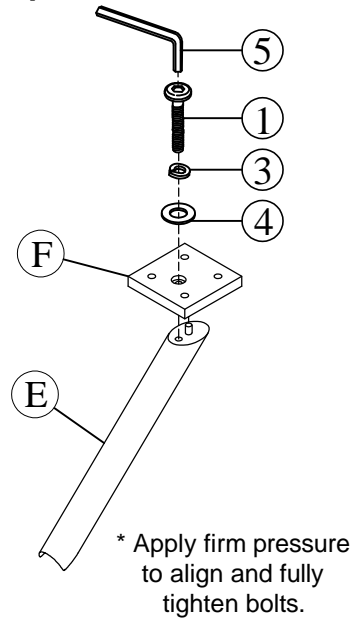
ASSEMBLY INSTRUCTIONS

Group Name: Mika
Description: Dining Table
Item No: TN-459-DT

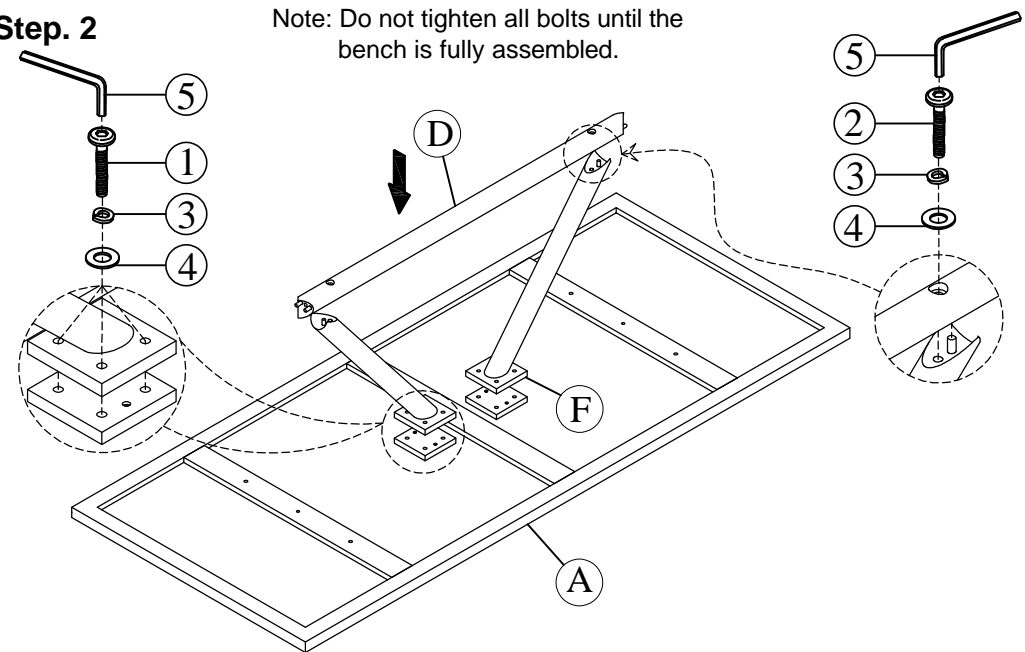
LIST OF PARTS

A. Table top  1pc	B. Legs  2pcs
C. Side Stretchers  2pcs	D. Center Stretchers  1pc
E. Angle Stretchers  2pcs	F. Mounting Board  2pcs

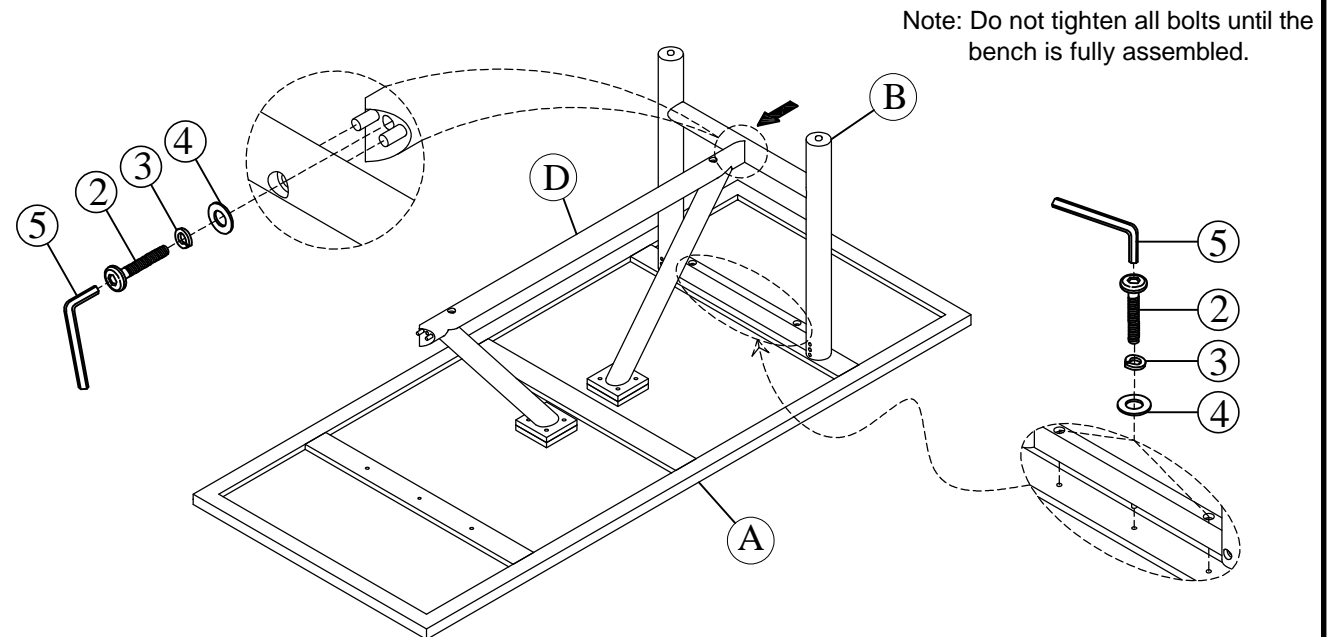
Step. 1



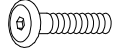
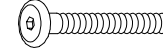


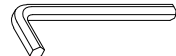
Step. 2



Step. 3



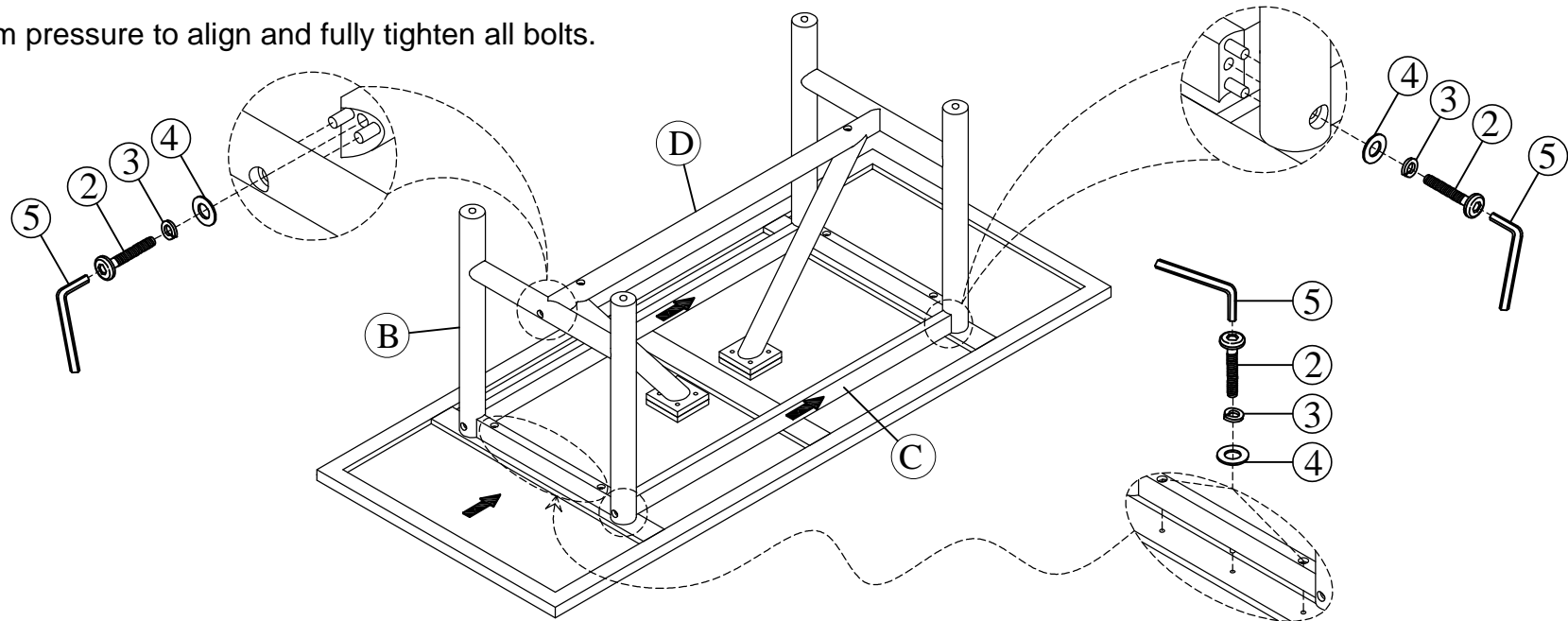
HARDWARE LIST

1. Short Bolt  5/16" x 35mm(10 pcs)	2. Long Bolt  5/16" x 75mm(12 pcs)
3. Spring washer  5/16" (22 pcs)	4. Flat washer  5/16" (22 pcs)
5. Allen key  4mm(1 pc)	

ASSEMBLY INSTRUCTIONS

Group Name: Mika
Description: Dining Table
Item No: TN-459-DT

Step. 4 * Apply firm pressure to align and fully tighten all bolts.



Completed

