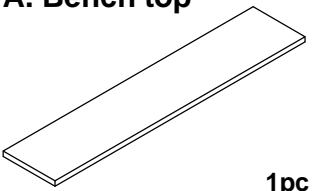
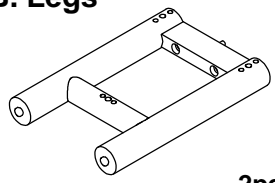
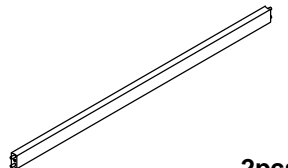
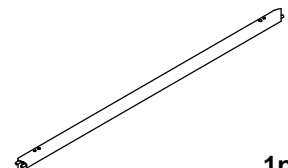
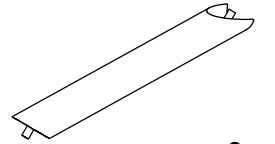
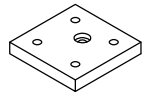


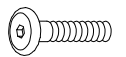
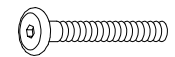


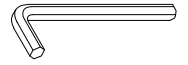
# ASSEMBLY INSTRUCTIONS

Group Name: Mika  
Description: Bench  
Item No: TN-459-B

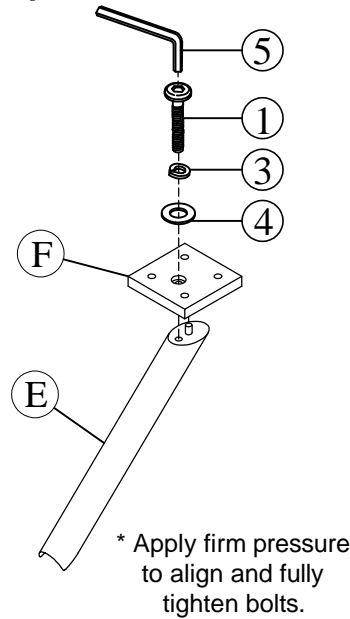
## LIST OF PARTS

<b>A. Bench top</b>  1pc	<b>B. Legs</b>  2pcs
<b>C. Side Stretchers</b>  2pcs	<b>D. Center Stretchers</b>  1pc
<b>E. Angle Stretchers</b>  2pcs	<b>F. Mounting Board</b>  2pcs

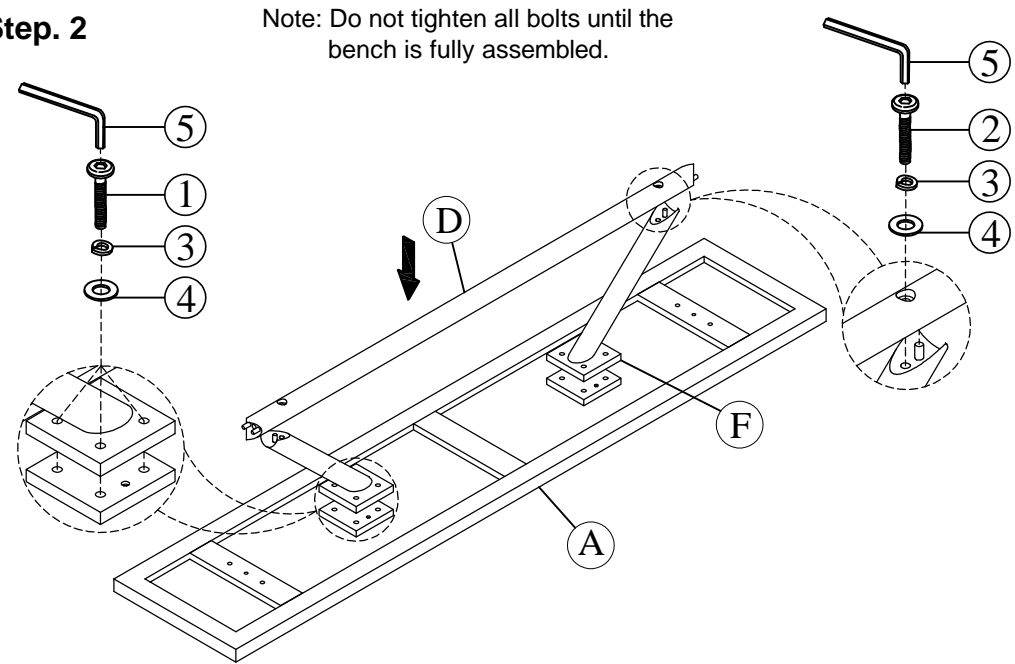
## HARDWARE LIST

<b>1. Short Bolt</b>  5/16" x 35mm(10 pcs)	<b>2. Long Bolt</b>  5/16" x 75mm(12 pcs)
<b>3. Spring washer</b>  5/16" (22 pcs)	<b>4. Flat washer</b>  5/16" (22 pcs)
<b>5. Allen key</b>  4mm(1 pc)	

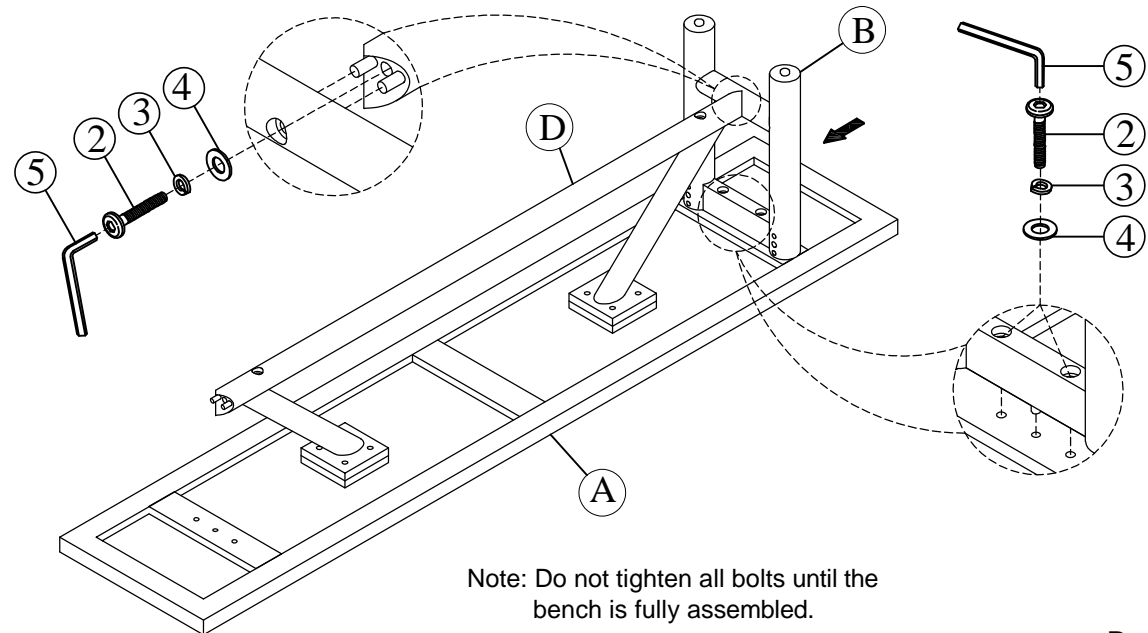
### Step. 1



### Step. 2



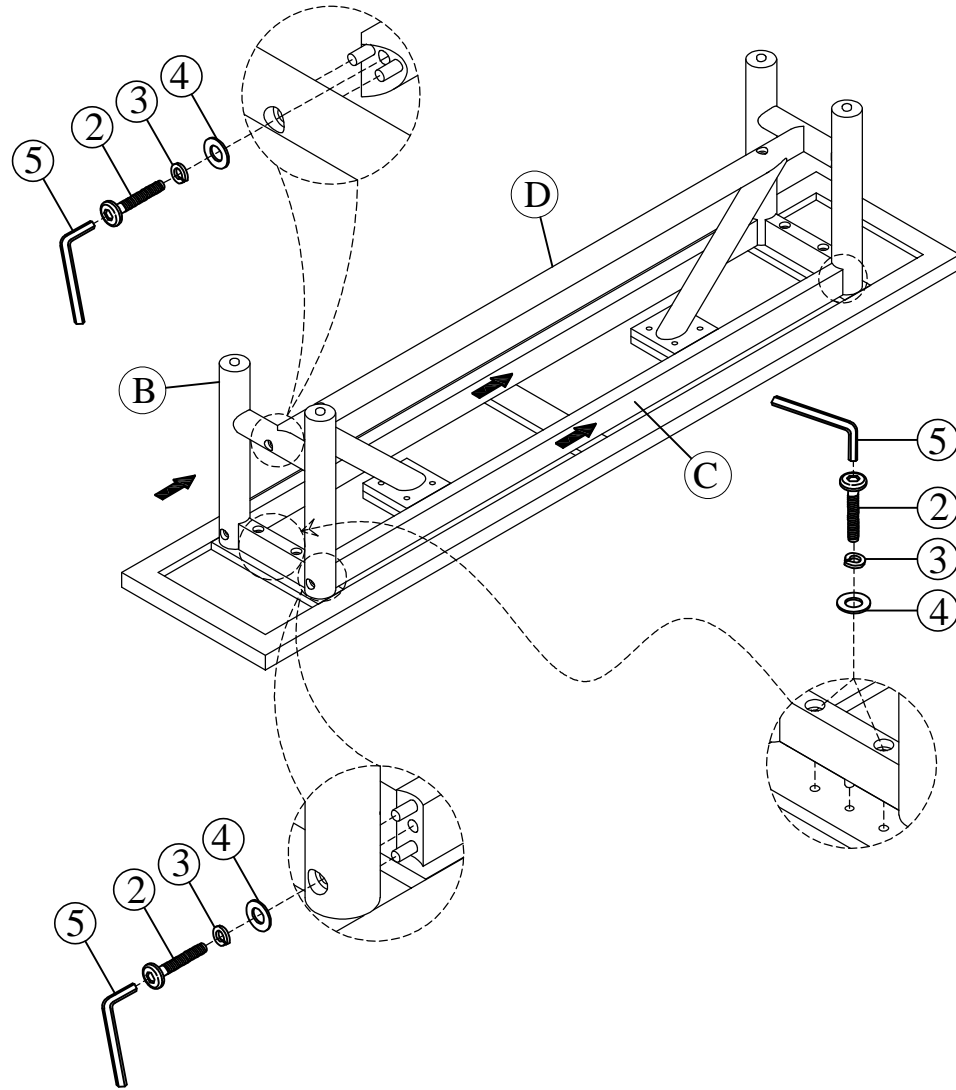
### Step. 3



# ASSEMBLY INSTRUCTIONS

Group Name: Mika  
Description: Bench  
Item No: TN-459-B

**Step. 4** \* Apply firm pressure to align and fully tighten all bolts.



**Completed**

