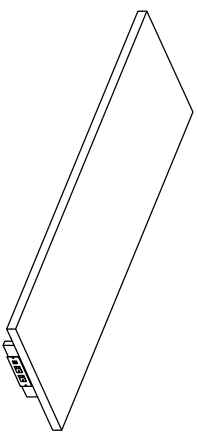
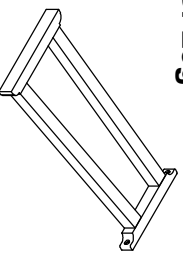



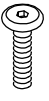
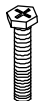
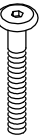


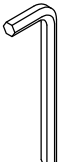

ASSEMBLY INSTRUCTIONS

Group Name: Mid Range
 Description: Bar Table
 Item No: TN-113BSWAL & TN-113BSGREY

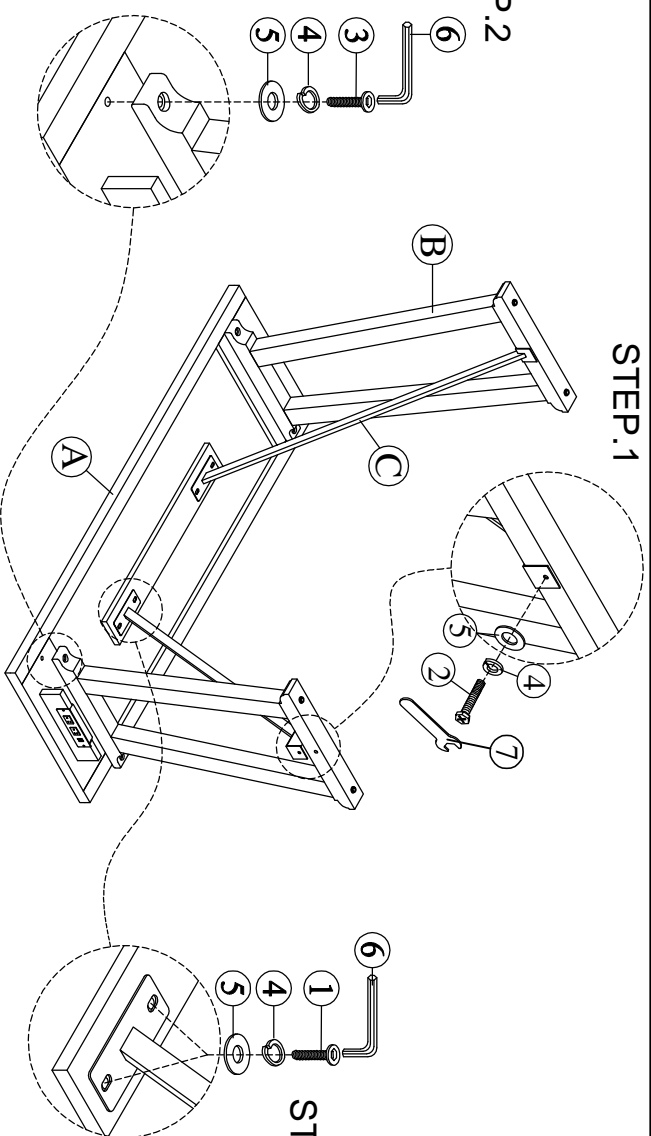
LIST OF PARTS

A. Top Table 		1pc
B. Leg 	C. Stretcher 	2pcs

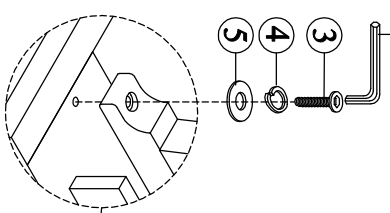
LIST OF HARDWARE

1. Short Bolt  5/16" x 20mm(4pcs)	2. Short Bolt  5/16" x 20mm(2pcs)
3. Long Bolt  5/16" x 45mm(4pcs)	4. Spring Washer  5/16" (10pcs)
5. Flat Washer  5/16" x 19mm(10pcs)	6. Allen Key  4mm(1 pc)
7. Wrench  5/16" (1 pc)	

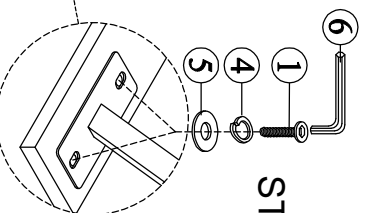
STEP.1



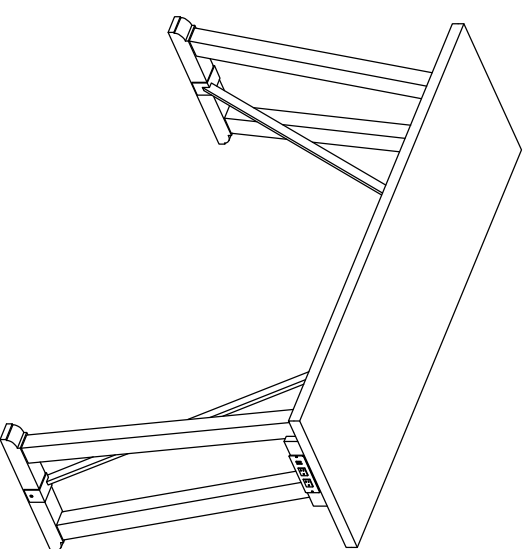
STEP.2



STEP.3

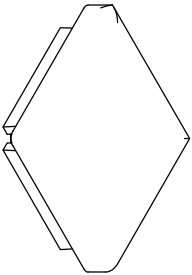
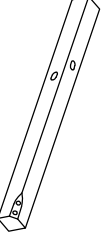
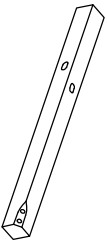
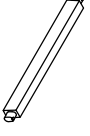
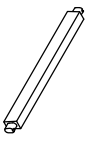
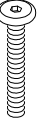


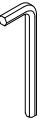
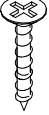


COMPLETED

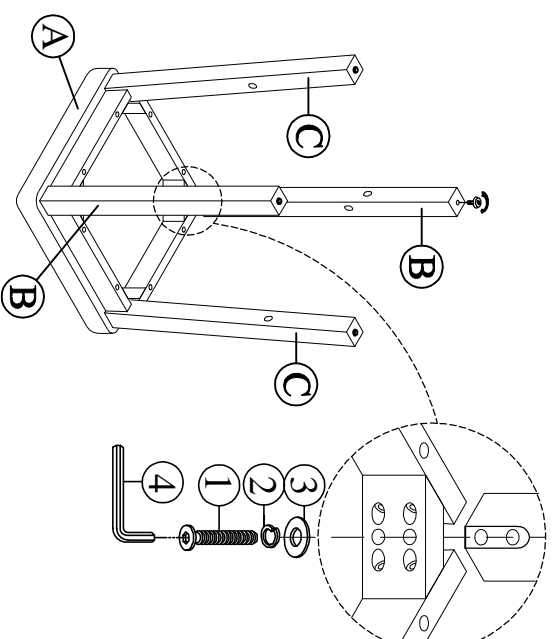


ASSEMBLY INSTRUCTIONS

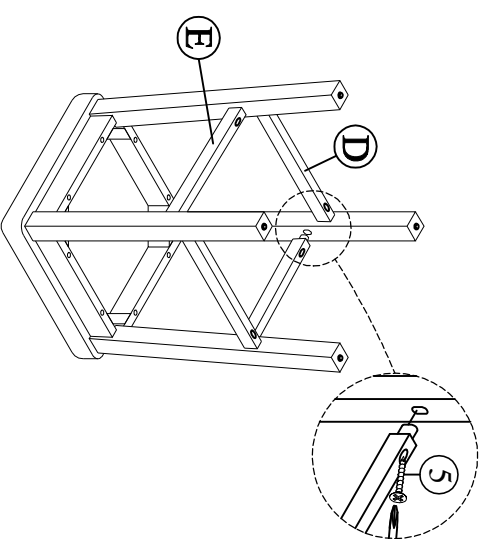
Group Name: Mid Range
 Description: Stool
 Item No: TN-113BSWAL & TN-113BSGREY

PARTS LIST	
A. seat frame with cushion 	
B. Right legs  2 pcs	C. Left legs  2 pcs
D. Long stretcher  2 pcs	E. Short stretcher  2 pcs
HARDWARE LIST	
1. Bolt  1/4" x 60mm(8 pc)	2. Spring washer  1/4" (8 pcs)
3. Flat washer 	4. Allen key  4mm(1 pc)
5. Screws  #4 x 38mm(8 pcs)	

STEP. 1



STEP. 2



COMPLETED

