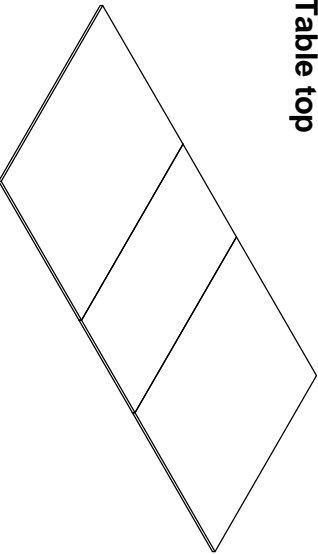
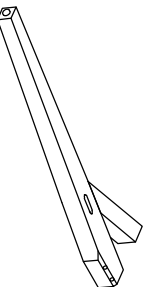
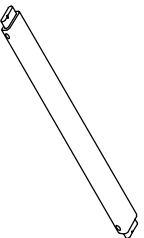
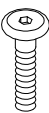
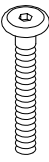


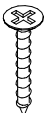
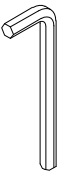


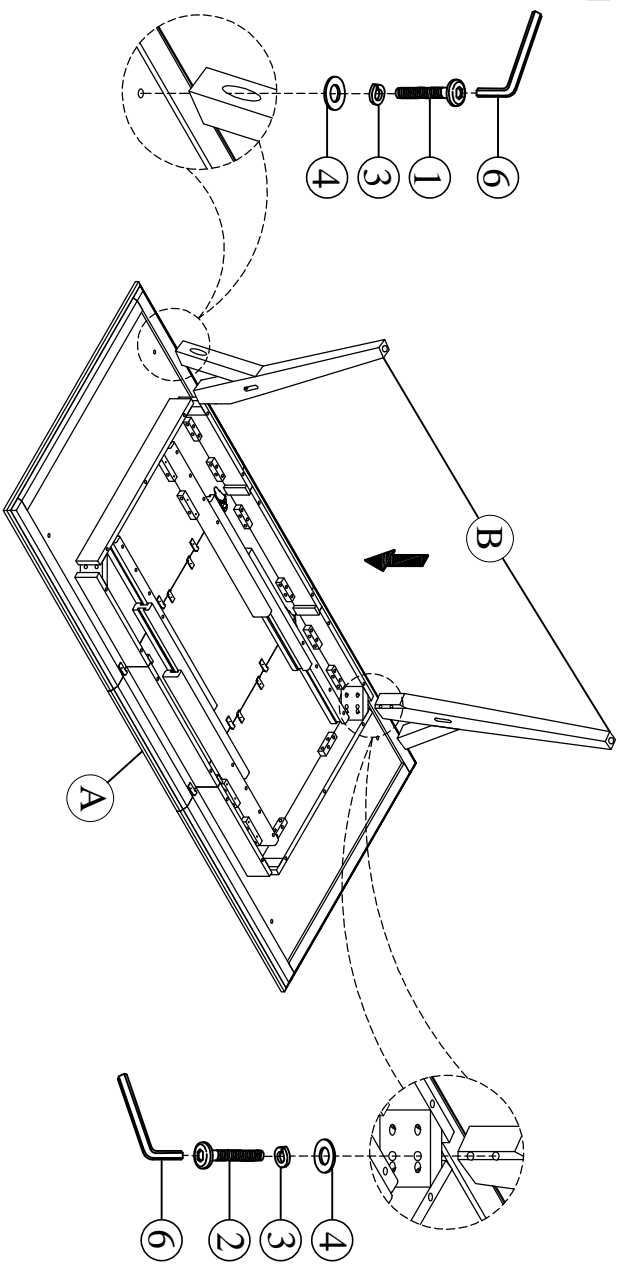
ASSEMBLY INSTRUCTIONS

Group Name: Mid Century
 Description: Dining Table
 Item No: TN-454-DT

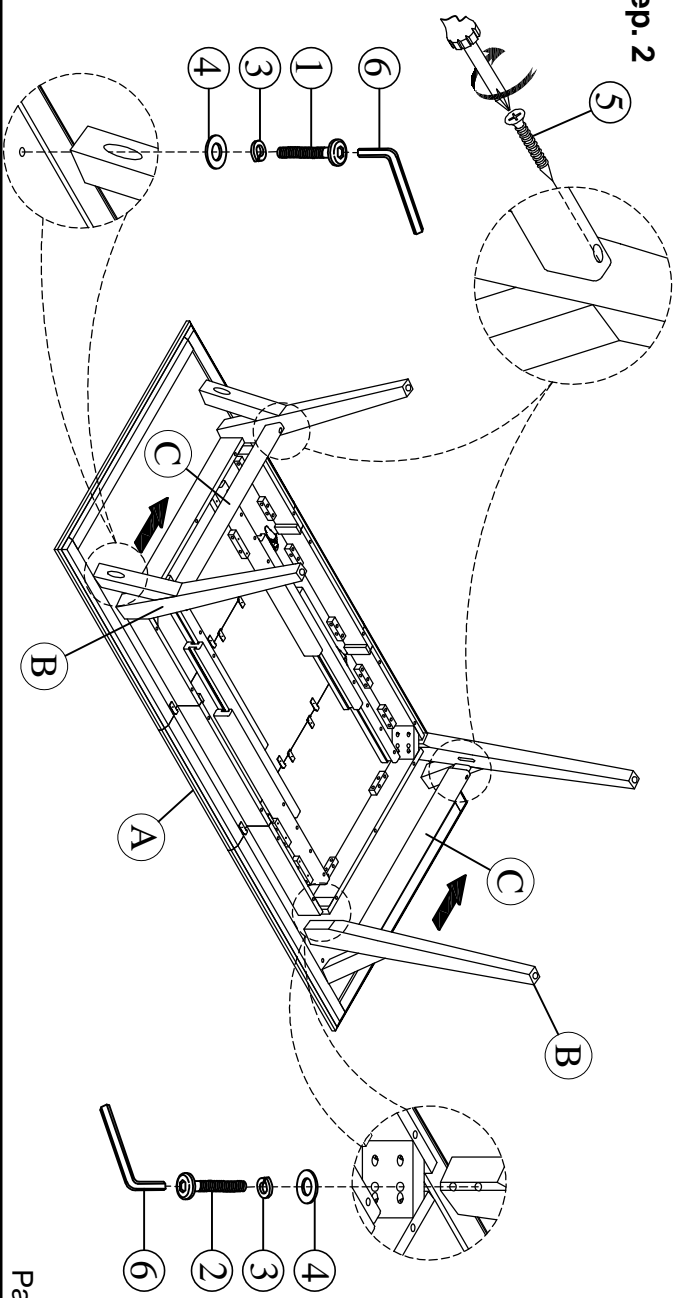
LIST OF PARTS

A. Table top			
		1pc	
B. Legs			
		1L; 1R	
C. Stretchers			
		2pcs	
HARDWARE LIST			
1. Short Bolt		2. Long Bolt	
5/16" x 40mm(4 pcs)		5/16" x 65mm(8 pcs)	
3. Spring washer		4. Flat washer	
5/16" (12 pcs)		5/16" (12 pcs)	
5. Screws		6. Allen key	
#4 x 50mm (4 pcs)		4mm(1 pc)	

Step. 1



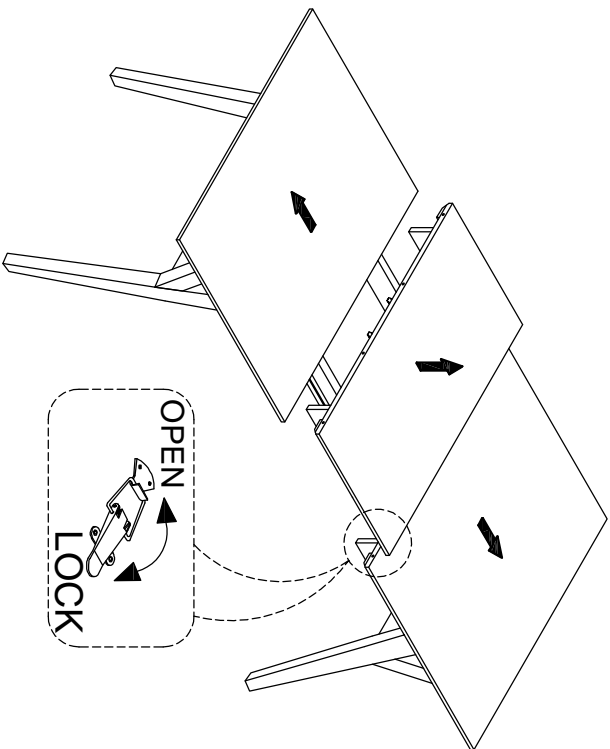
Step. 2



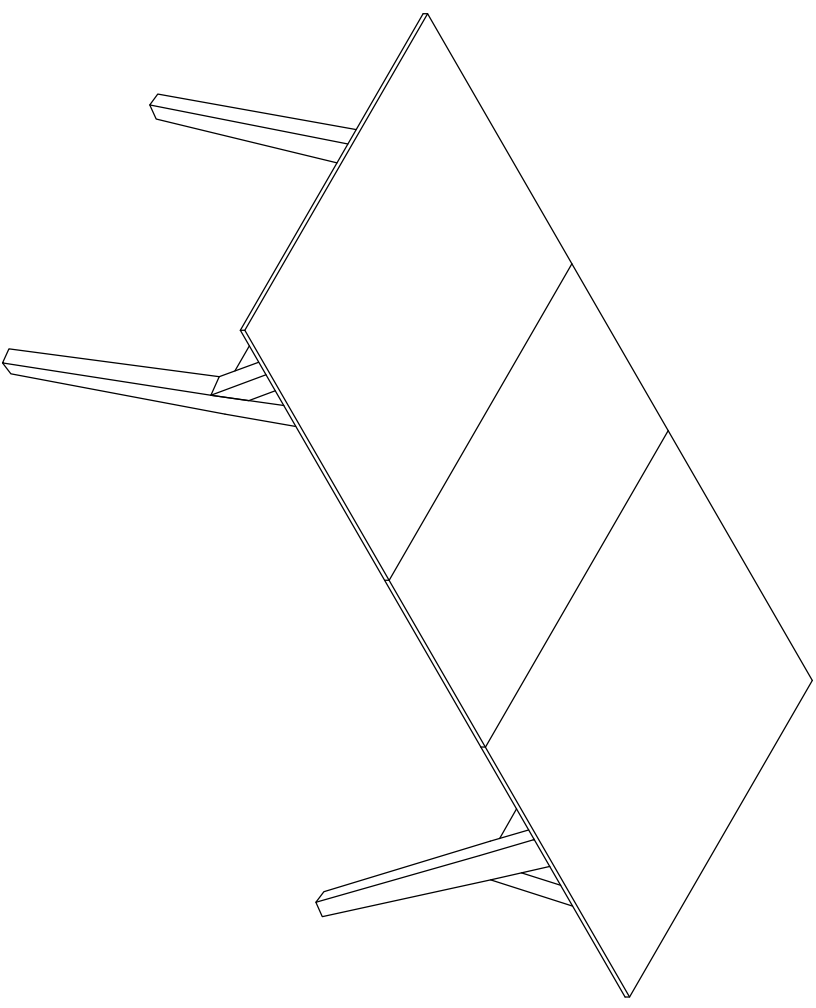
ASSEMBLY INSTRUCTIONS

Group Name: Mid Century
Description: Dining Table
Item No: TN-454-DT

Step. 3



Completed



Step. 4

