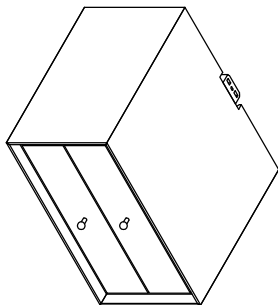
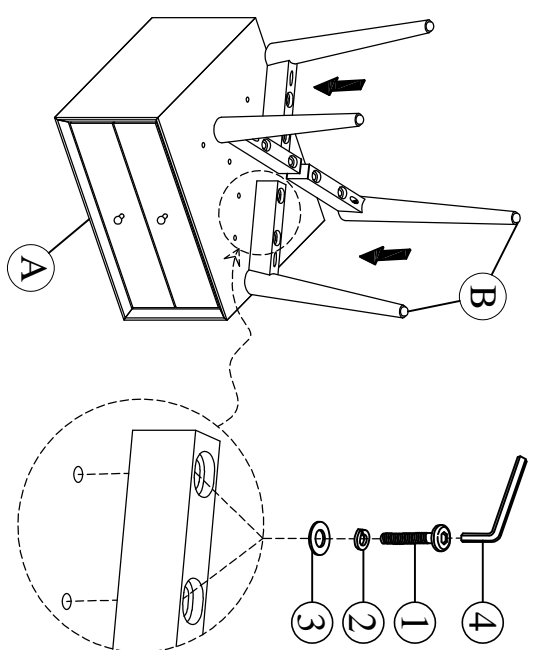
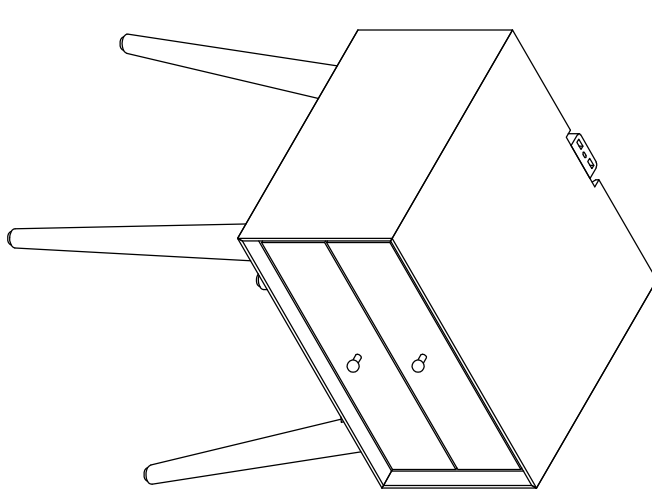
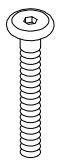


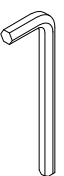


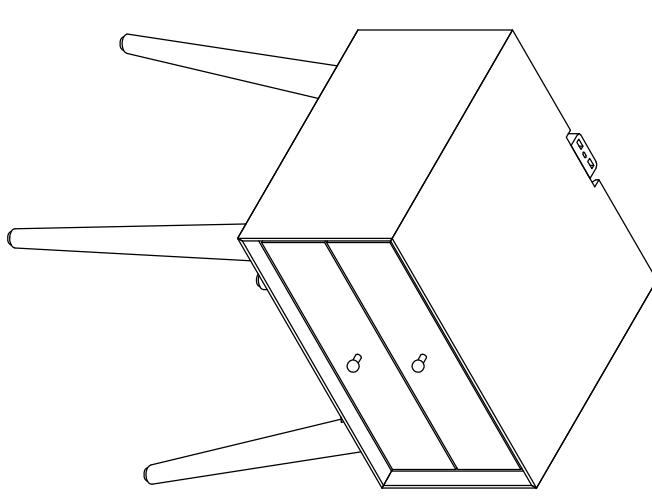
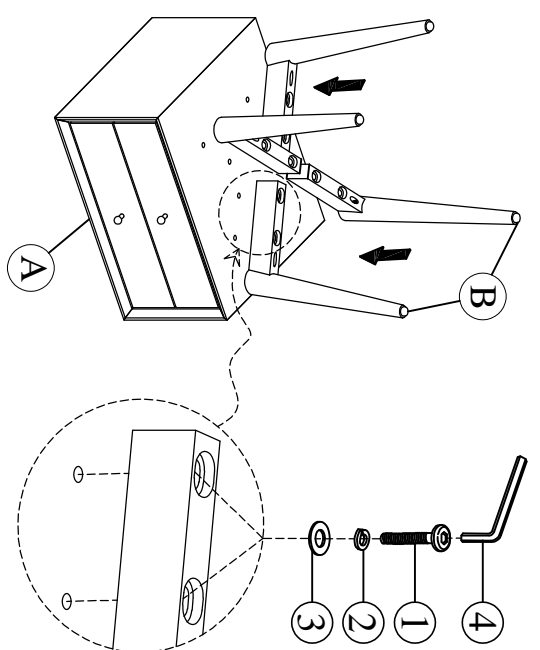
ASSEMBLY INSTRUCTIONS

Group Name: MID CENTURY 2
 Description: Nightstand
 Item No: TN-454-NS

LIST OF PARTS

A. Nightstand		Step. 1	
			
B. Legs			
		Completed	
HARDWARE LIST			
4pcs			
1. Bolt		2. Spring washer	
5/16" x 60mm(8 pcs)		5/16" (4 pcs)	
3. Flat washer		4. Allen key	
5/16" x 60mm(8 pcs)		4mm (1 pc)	
5/16" (4 pcs)			

Step. 1



USB-EY-P612