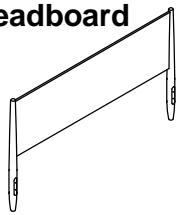


ASSEMBLY INSTRUCTIONS

Group Name: MID CENTURY 2
 Description: King Bed
 Item No: TN-454-KHB & TN-454-KFB & TN-454-QKSR

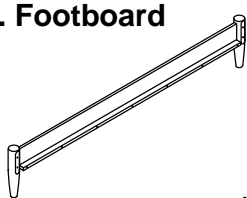
LIST OF PARTS

A. Headboard



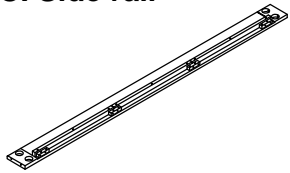
1pc

B. Footboard



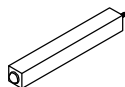
1pc

C. Side rail



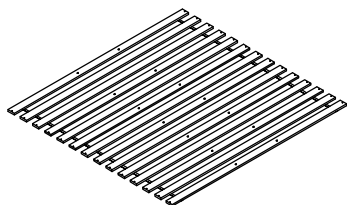
2pcs

D. Support with leveler



14pcs

E. Slats



1set

HARDWARE LIST

1. Hanger Bolt



5/16" x 83mm (8 pcs)

2. washer



5/16" (8 pcs)

3. Nut



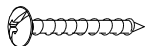
5/16" (8 pcs)

4. Spanner



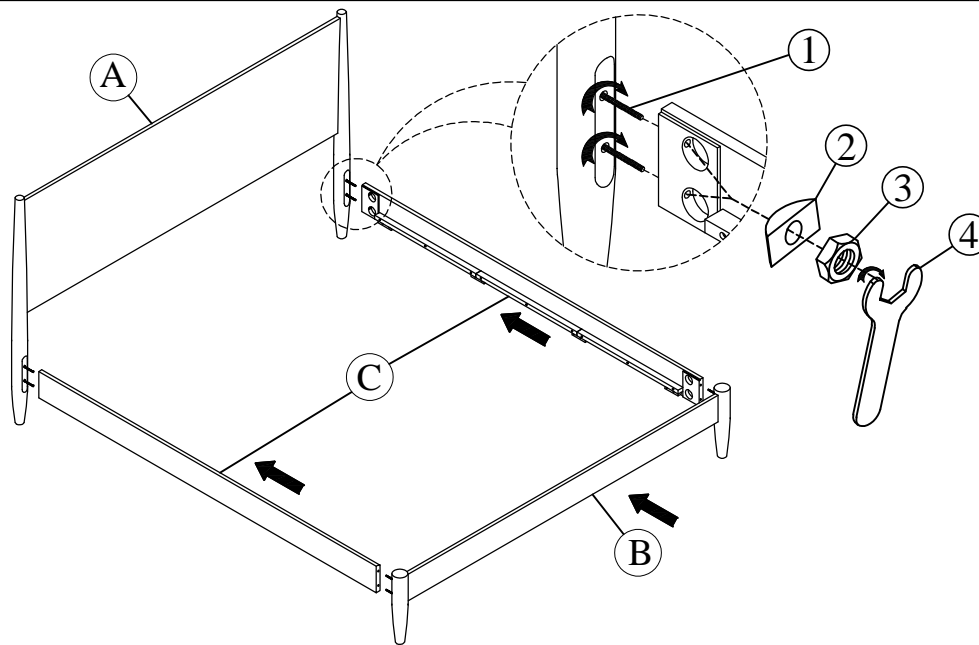
5/16" (1 pc)

5. Screw

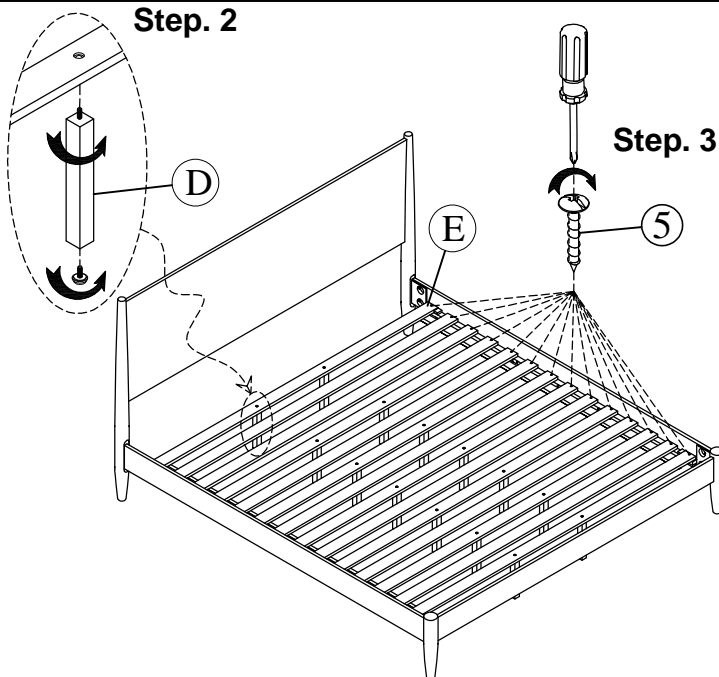


#4 x 30mm (28 pcs)

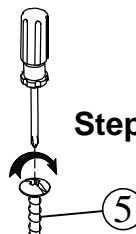
Step. 1



Step. 2



Step. 3



Completed

