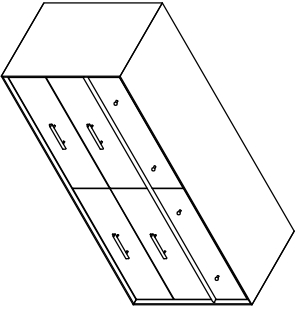
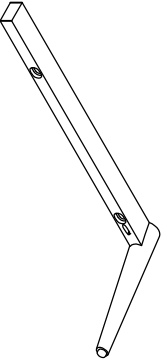
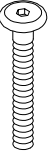






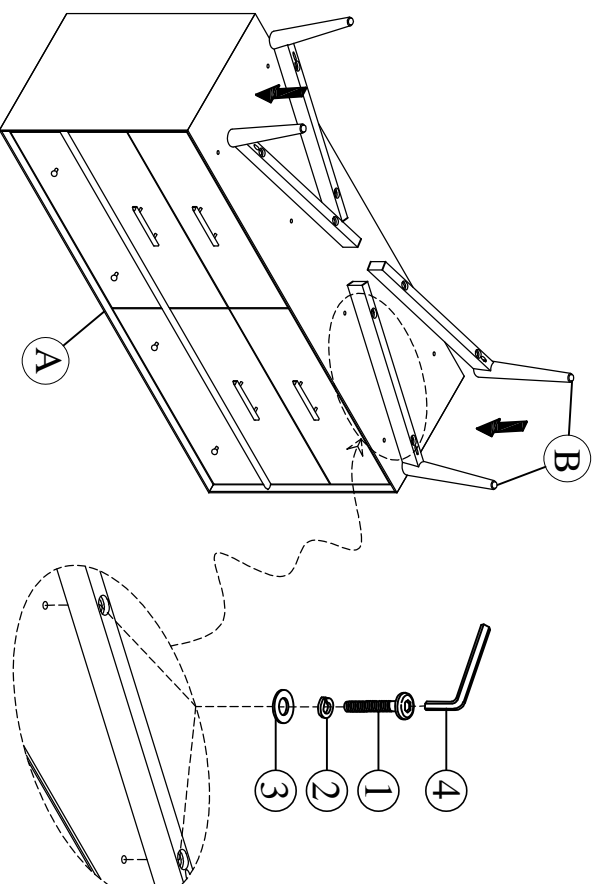
ASSEMBLY INSTRUCTIONS

Group Name: MID CENTURY 2
 Description: Dresser
 Item No: TN-454-DR

LIST OF PARTS

A. Dresser				1pc
B. Legs				4pcs
HARDWARE LIST				
1. Bolt		2. Spring washer		
5/16" x 60mm(8 pcs)		5/16" (8 pcs)		
3. Flat washer		4. Allen key		
5/16" (8 pcs)		4mm (1 pc)		
5. Tipping Restraint				
	(1 set)			

Step. 1



Completed

