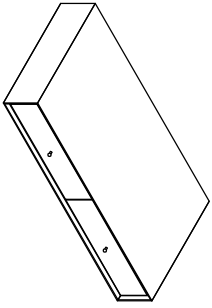
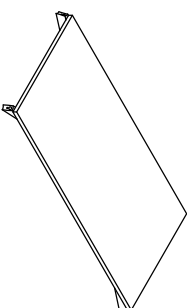
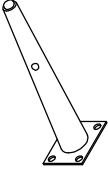
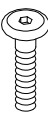



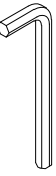


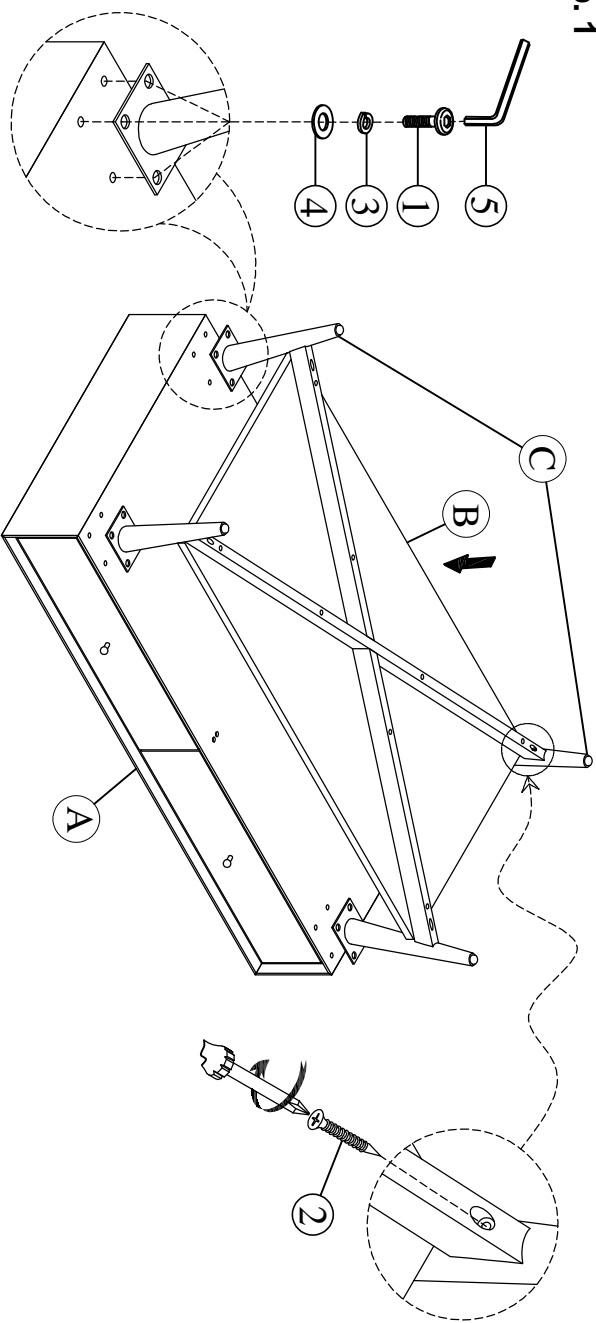
# ASSEMBLY INSTRUCTIONS

Group Name: Mid Century  
 Description: Coffee Table  
 Item No: TN-454-C

## LIST OF PARTS

<b>A. Table top</b>			1pc
<b>B. Shelf</b>			1pc
<b>C. Legs</b>			4pcs
<b>HARDWARE LIST</b>			
<b>1. Bolt</b>		<b>2. Screws</b>	
5/16" x 20mm(16 pcs)		#4 x 45mm (4 pcs)	
<b>3. Spring washer</b>		<b>4. Flat washer</b>	
5/16" (16 pcs)		5/16" (16 pcs)	
<b>5. Allen key</b>			
			4mm(1 pc)

### Step. 1



### Completed

