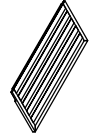

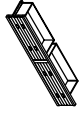
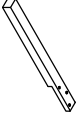



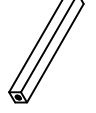
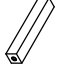





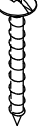


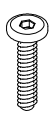
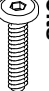



ASSEMBLY INSTRUCTIONS

Group name: SUNNYVALE
 Description: KING BED STORAGE
 Item No: B005KSB

LIST OF PARTS

(A) Headboard 	(B) Foot board 
(C) Side rail 	(D) Headboard foot 
(E) Stretcher 	(F) Slats roll (include 13pcs) 
(G) Bottom slat 	(H) Support bottom slat 
(I) Support slat 	(K) Support drawer 
LIST OF HARDWARE	
1. Bolts  5/16" x 83mm(8 pcs)	2. Washer  5/16" (8 pcs)
3. Nut  5/16" (8 pcs)	4. Spanner  5/16" (1 pc)
5. Screw  #4 x 30mm(26 pcs)	6. Washer  5/16" (8 pcs)
7. Spring washer  5/16" (8 pcs)	8. Bolts  5/16" x 40mm(8 pcs)
9. Short bolts  1/4" x 30mm(4 pcs)	10. Allen key  4mm(1 pc)

