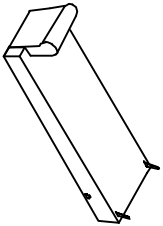
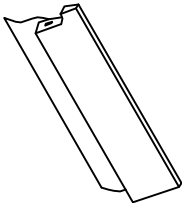

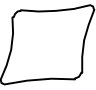


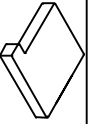





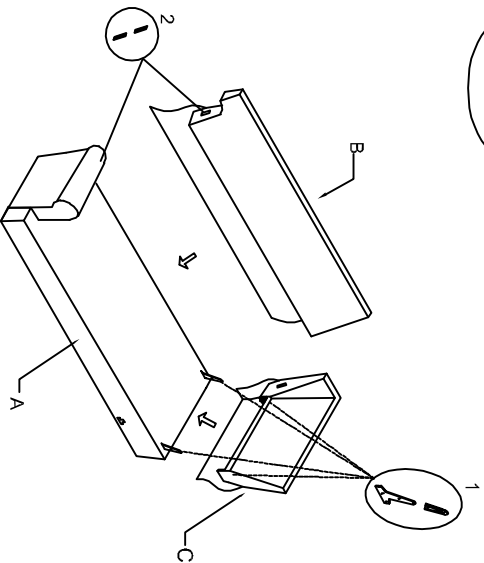


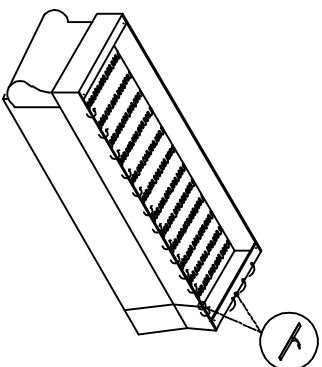
# ITEM : 4150-S PARTS LIST

NO	DESCRIPTION	PART	QTY
A	SEAT		1pc
B	LARGE BACK		1pc
C	CORNER BACK		1pc
D	THROW PILLOW		2pcs
E	ARM PILLOW		1pc
F	RIGHT, CENTER CUSHIONS		2pcs
G	LEFT CUSHION		1pc
H	CORNER PILLOW		1pc
I	CORNER PILLOW		1pc
K	BACK PILLOW		1pc
L	BACK PILLOW		1pc
M	LEG		4pcs

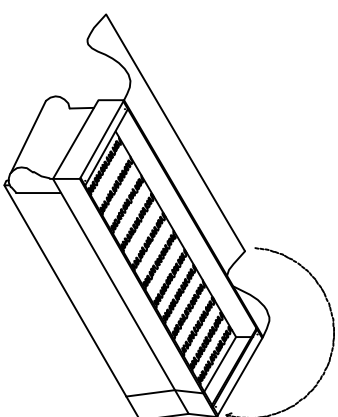
STEP 1



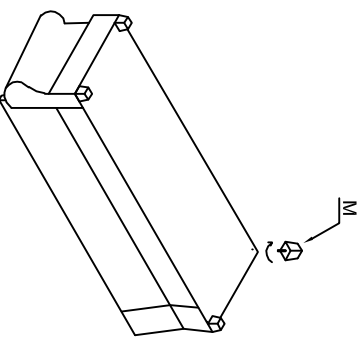
STEP 2



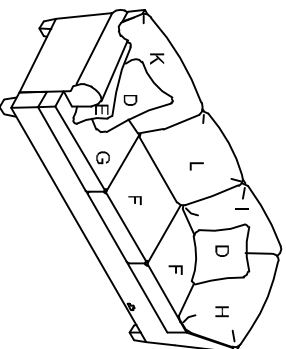
STEP 3



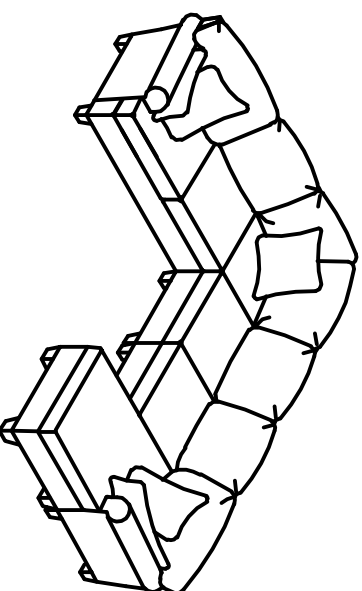
STEP 4



FINISH



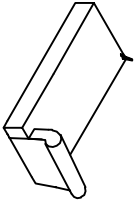
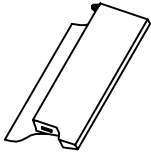




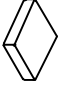
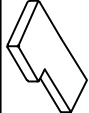
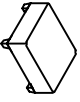

ALL IN 1 SET



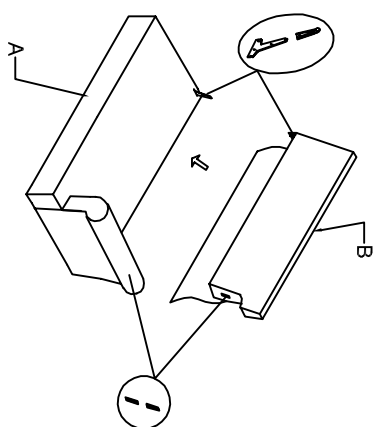
Please Check Underneath Seat Deck For Any Parts That May Be Inside

# ITEM : 4150-L

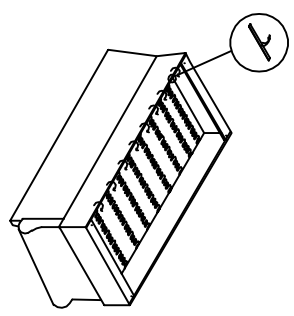
## PARTS LIST

NO	DESCRIPTION	PART	QTY
A	SEAT		1pc
B	BACK		1pc
C	BACK PILLOW		1pc
D	BACK PILLOW		1pc
E	THROW PILLOW		1pc
F	ARM PILLOW		1pc
G	LEFT CUSHION		1pc
H	RIGHT CUSHION		1pc
I	OTTOMAN		1pc
K	LEG		8pcs

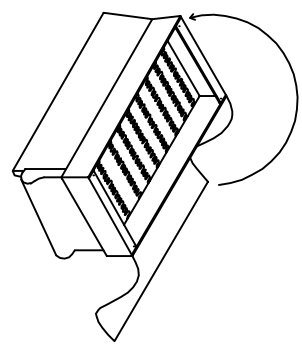
STEP 1



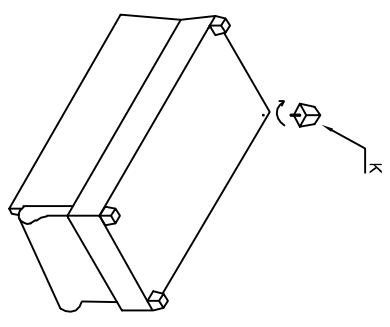
STEP 2



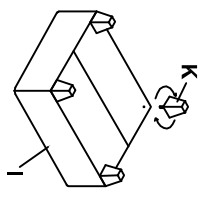
STEP 3



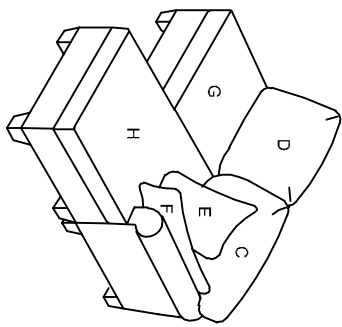
STEP 4



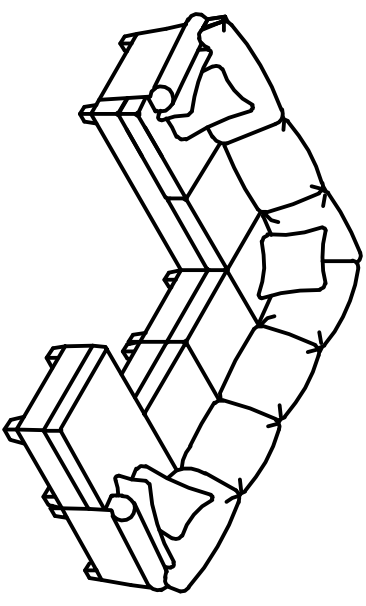
STEP 5



FINISH



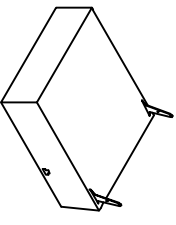
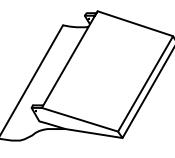



ALL IN 1 SET



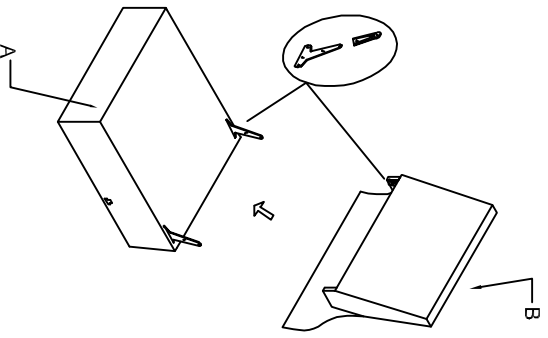
**Please Check Underneath Seat Deck For Any Parts That May Be Inside**

# ITEM : 4150-A

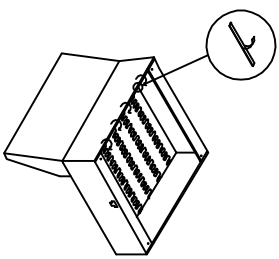
## PARTS LIST

NO	DESCRIPTION	PART	QTY
A	SEAT		1pc
B	BACK		1pc
C	BACK PILLOW		1pc
D	CUSHION		1pc
E	LEG		4pcs

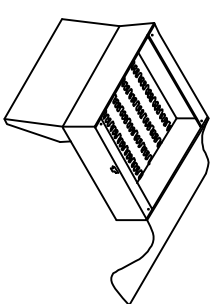
STEP 1



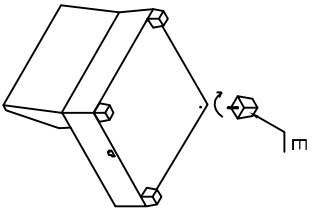
STEP 2



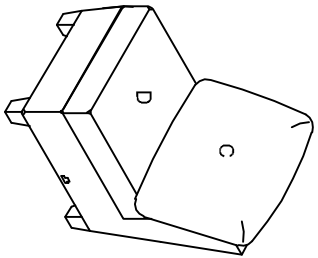
STEP 3



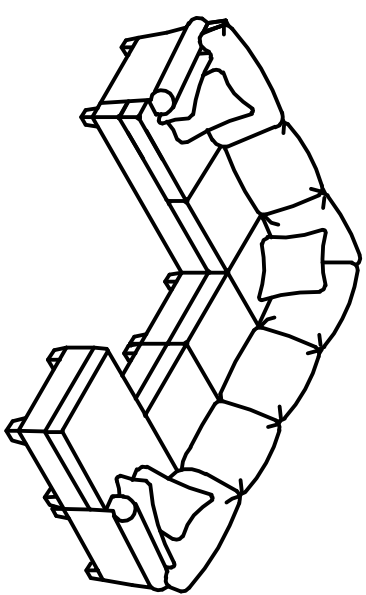
STEP 4



FINISH



ALL IN 1 SET



**Please Check Underneath Seat Deck For Any Parts That May Be Inside**