

NOTE: It would be useful to ask someone to help you at this stage.

STEP 1. Attaching the KD Backs:

Position the back of your recliner with the KD receivers positioned over the mechanism. Check to assure both sides of the mechanism are positioned inside of the KD receiver on the back frame, pushing in a downward motion from the top of the back frame until a clicking sound is heard. see Fig. 1

STEP 2. POWER SKU'S ONLY:

Attach the lead wire from the bottom of each inside back to the lead wire located at the rear of each seat. Care is to be taken to make sure that no wires are in the path of the reclining mechanism. Make sure to close the clip lock to prevent the connection from coming loose

STEP 3. Close the Outside Backs:

Using the preattached Velcro on the outside back flap align and press to the preattached velcro attached to the bottom rear of the seat frame.

Note: Follow the same process above on all sku's until all KD Backs are attached

STEP 4. Wedge Only:

Careful to the wedge on its back. Attach the 5 legs (l) to the T nuts, location is pre marked.

STEP 5

Position your product in the area of its intended use and connect together using the sectional connectors.see Fig. 2

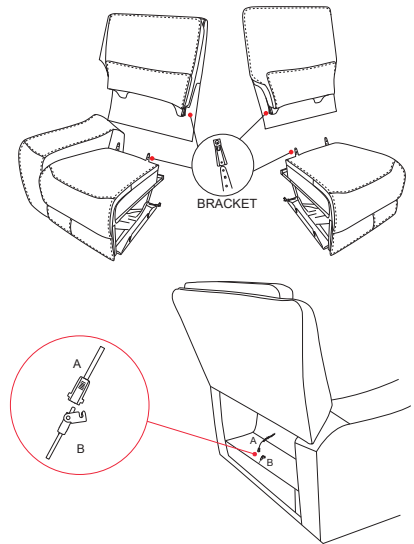


Fig.1

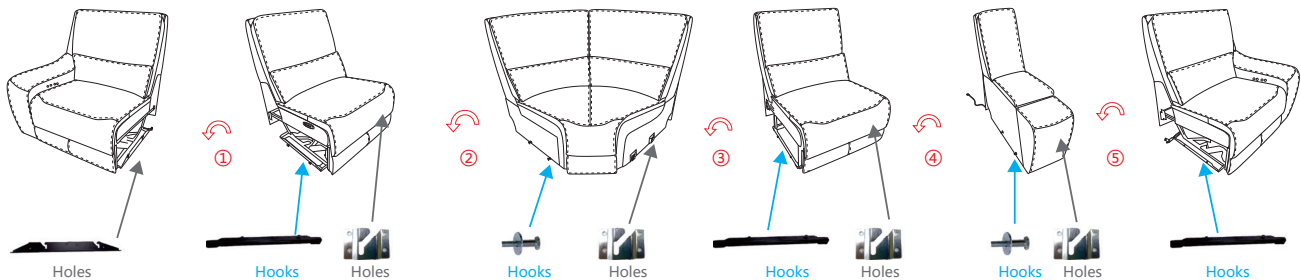


Fig.2

STEP 6

Attach the power cord found at the bottom rear of the armless dual power recliner to the matching plug found at the bottom rear of the LAF/RAF dual power recliner as seen above. Make sure to close the clip lock to prevent the connection from coming loose.see Fig. 3

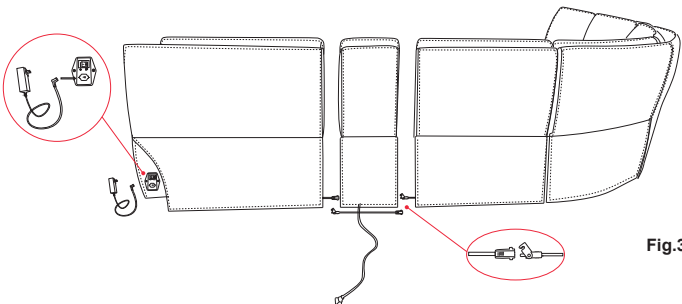
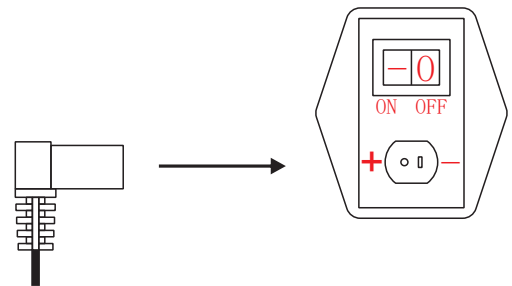


Fig.3

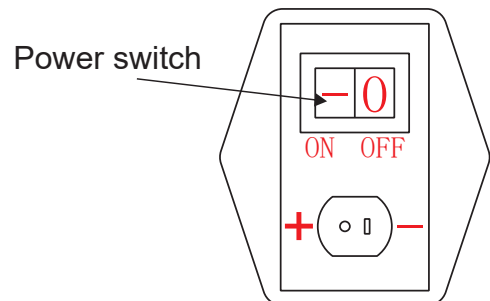
STEP 7

Connect the matching end of the power supply to the power switch located at the bottom rear of the arm



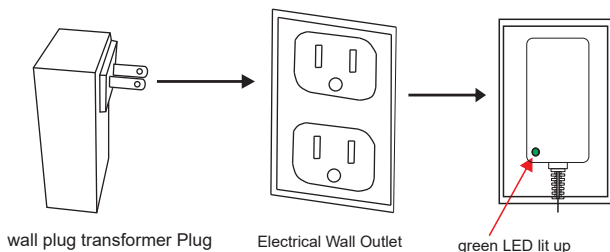
STEP 9

After all connections have been made, ensure that transformer power switch is switched to the "on" position.

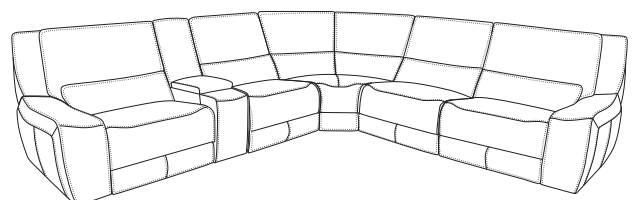


STEP 8

Connecting your power source: To prevent damage or injury, make sure to only plug the power supply into a grounded outlet. A green light should illuminate when your power source has power



After assembly is complete, your product should look similar as seen below.



Care & Maintenance

Safety

To avoid any risk of suffocation to animals or children dispose of the plastic bags immediately.

Cleaning

As with all surfaces clean with a damp cloth and mild detergent, do not use bleach or abrasive products.